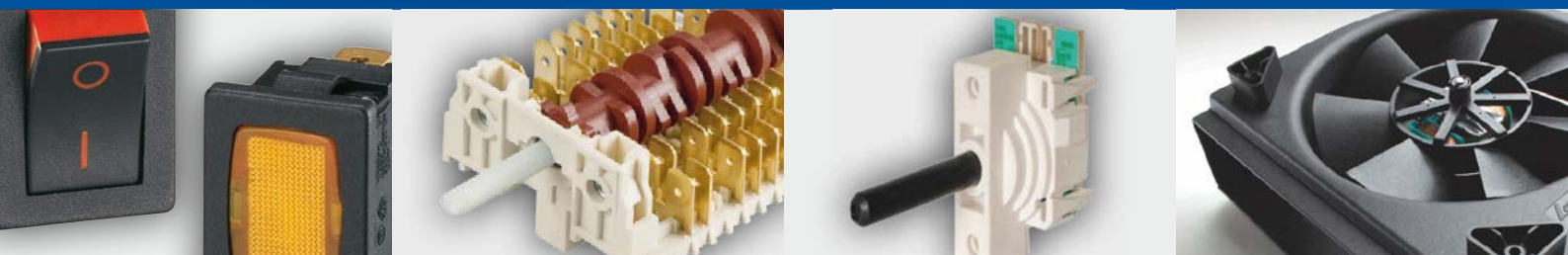


30 CVEREL

THE WORLD IN A CLICK



CODI



Dreefs

 **SIGNAL LUX**

givem

M MOLVENO

 **KAUTT & BUX**

Codi

04



CS

193



CV

194

CODI



Designed with the special demands of today's electronic control applications in mind. Everel encoders provide an outstanding array of potential solutions.

Rating
20 mA / 5 VDC
T 85 °C

SOLUTIONS



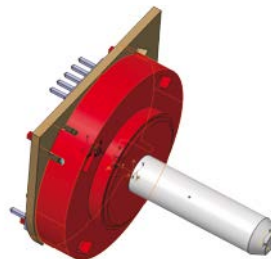
Screw mounting CODI

The encoder can be fixed to panel with a screw or a nut.



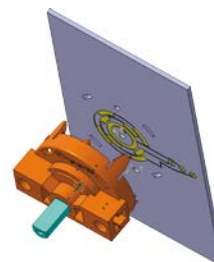
M4 screw mounting CODI

The encoder can be fixed on the panel by two M4 screws.



Pin strip connector CODI

It allows to weld the encoder directly on the circuit board of the customer product without wiring.



Version without PCB for mounting on PCB

Everel can also supply only the electromechanical part of the encoder allowing the customer to define the board circuit.

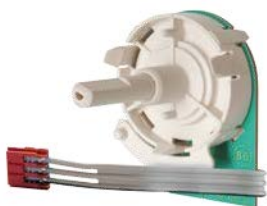
TYPICAL APPLICATIONS	Electronic function selector Washing machines and dishwashers
WIRING DIAGRAMAS	<ul style="list-style-type: none"> ■ 4-bit digital output ■ Up to 32 positions ■ BCD, Gray Code and resistor array selection
CYCLE NR	10.000
AMBIENT TEMPERATURE	85 °C

ADDITIONAL FEATURES

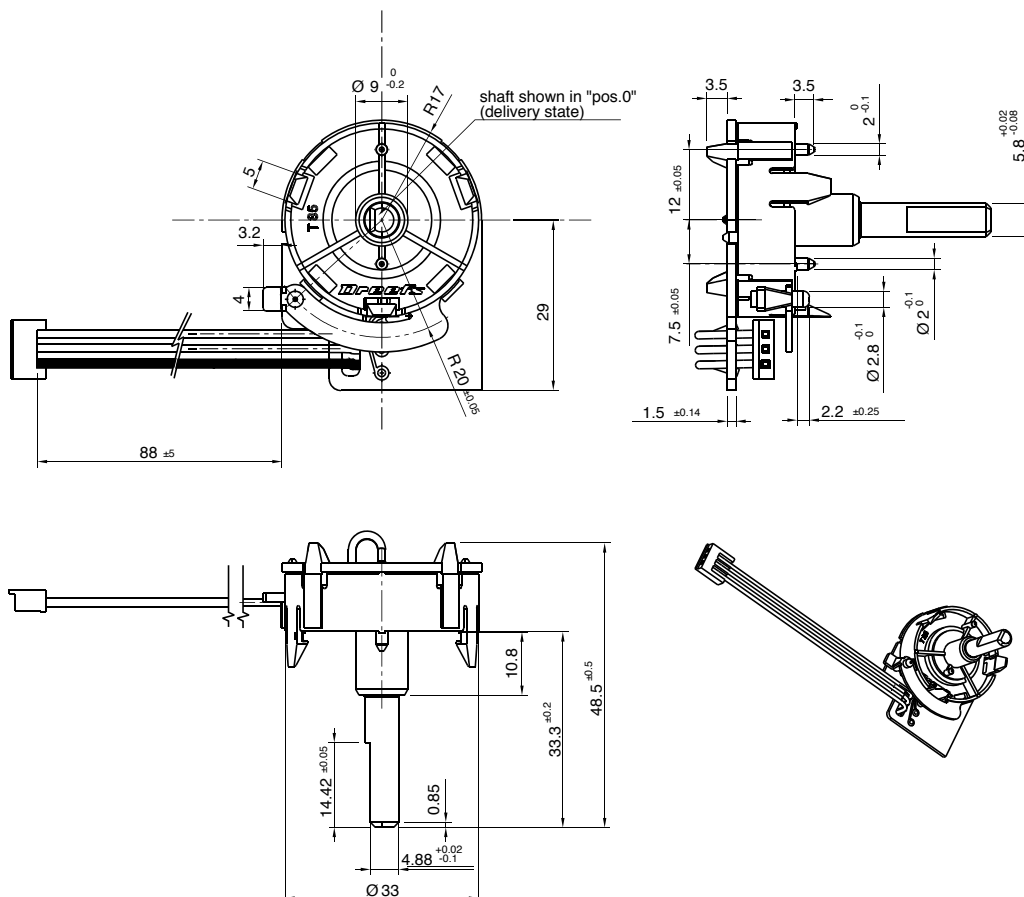
- Golden contacts
- 360° with or without end stop
- Permitted angular tolerance: +/-2°
- 10.000 cycles
- Operating torque: custom
- Different connecting systems
- Different mounting solutions available, such as snap-in, twist-lock or screws
- Coupling with function selector switches

CS

CS1

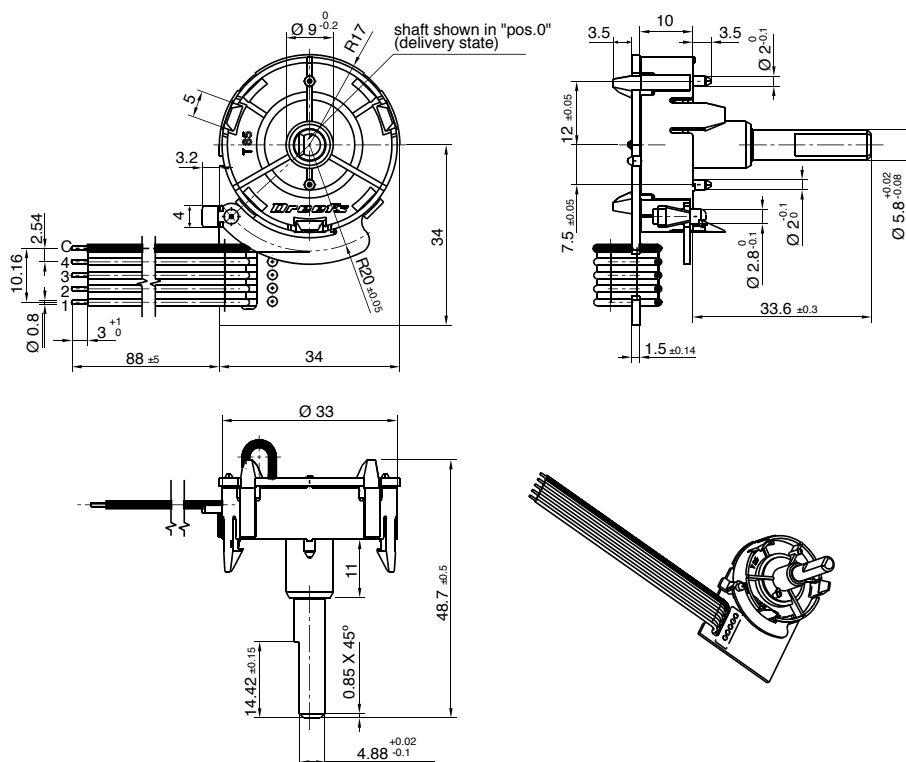


CODI	FIXING TYPE	H SHAFT (mm)	NUMBER OF POSITIONS
CS	Snap-in	■ 22,5	■ 16 P



MF encoder, standard body version with snap in fixing type or self snapping fixing type.

CS2



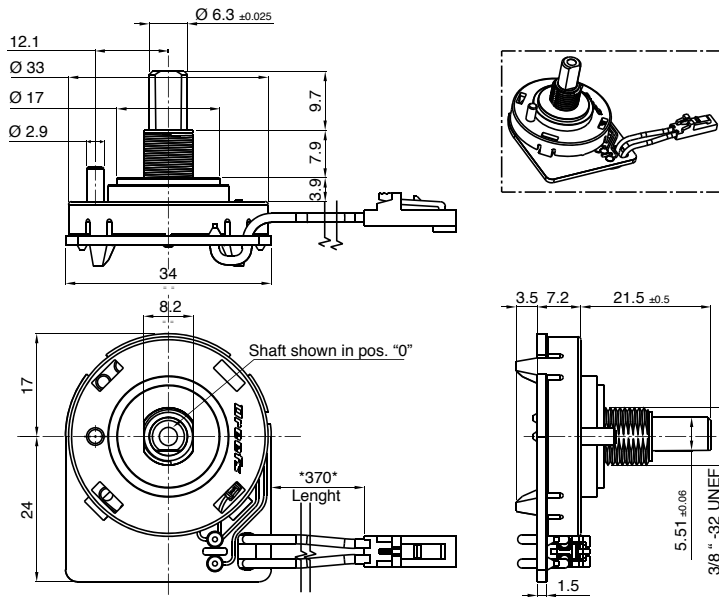
MF encoder, standard body version with snap in fixing type or self snapping fixing type.

CV

CV1

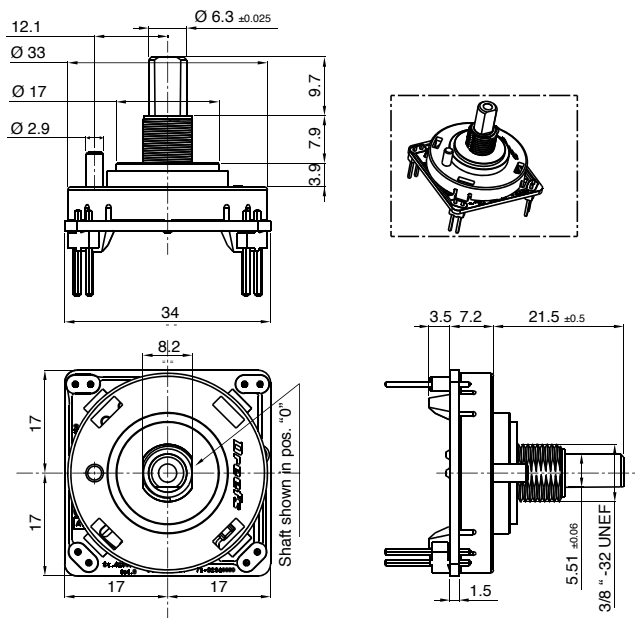


CODI	FIXING TYPE	H SHAFT (mm)	NUMBER OF POSITIONS
CS	Threaded ring	■ 9,7	■ 6 P + 180° free rotation

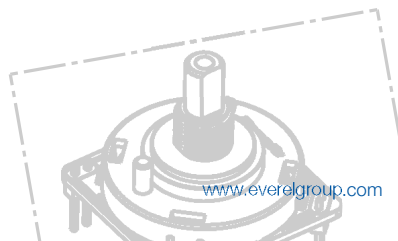
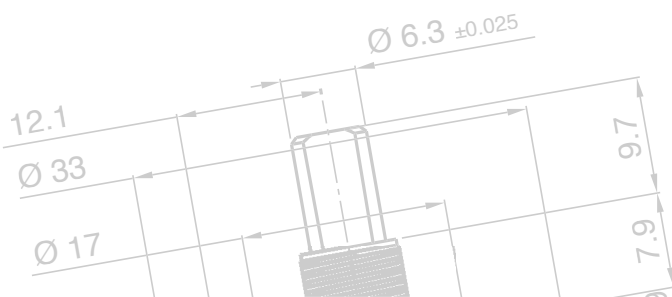
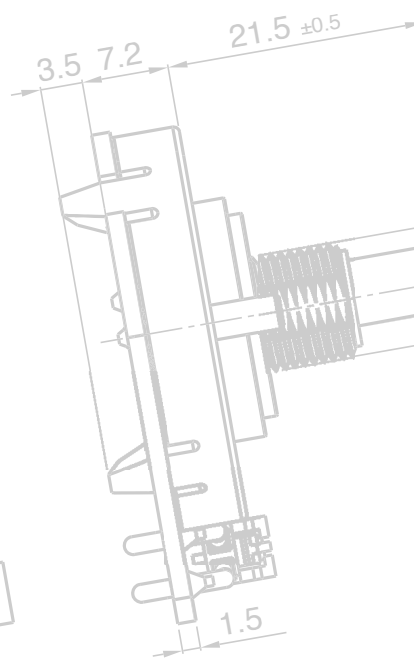
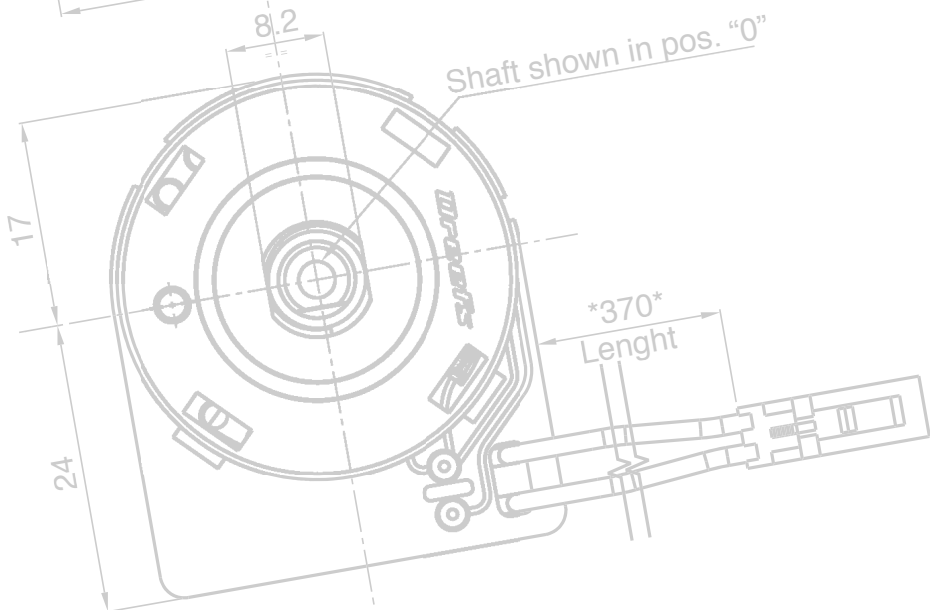
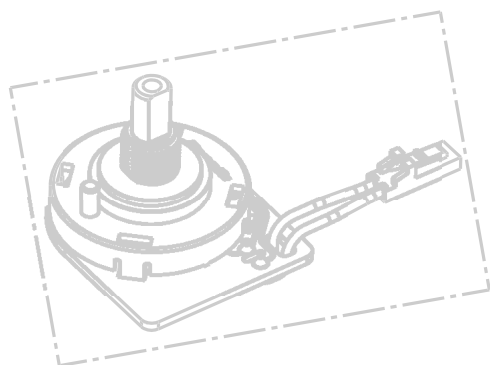
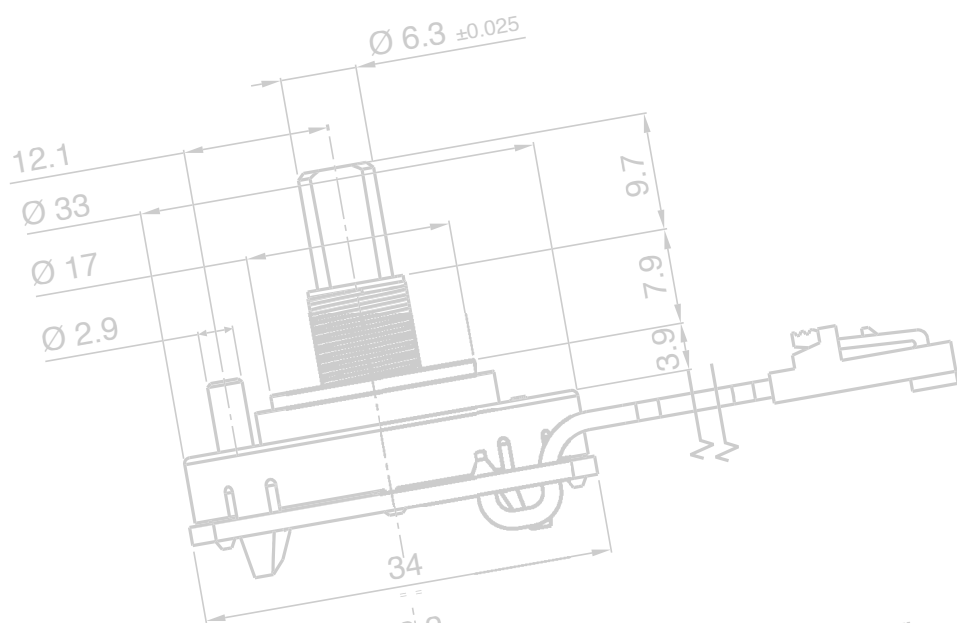
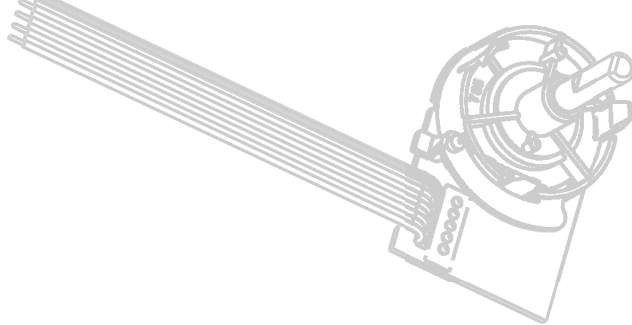
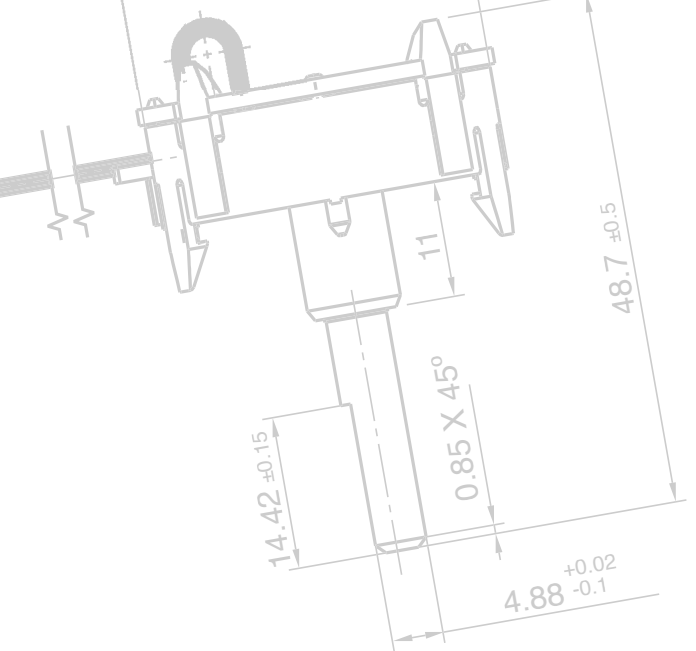


MF encoder, standard body version with snap in fixing type.

CV2



MF encoder, standard body version with snap in fixing type.





- Headquarter
- Production Site
- Sales Network



Everel Group S.P.A.

[Headquarter - Production Site]
Via Cavour, 9
37067 Valeggio sul Mincio (VR) - Italy
tel. +39 045 6313711
fax +39 045 6313730

Dreefs GmbH

[Production Site]
Ernst-Dreefs-Straße 7
96364 Marktrodach - Germany
tel. +49 9261 9610
fax +49 9261 961248

Everel Romania S.r.l.

[Production Site]
Calea Timisorii 109
Lipova - Arad - Romania
tel. +40 257 563087
fax +40 257 563086

www.everelgroup.com

