



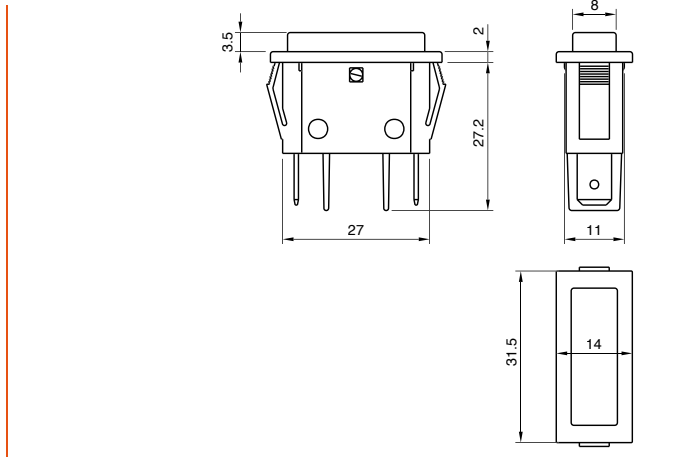
B5

FUNCTION	Indicator light SX81 series
AMBIENT TEMPERATURE	120 °C
GWT	850 °C
GWT NO FLAME (<2sec)	650 °C



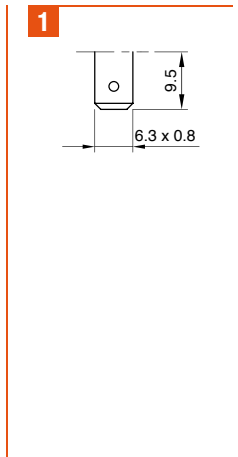
B 5

DRAWING



?

TERMINAL



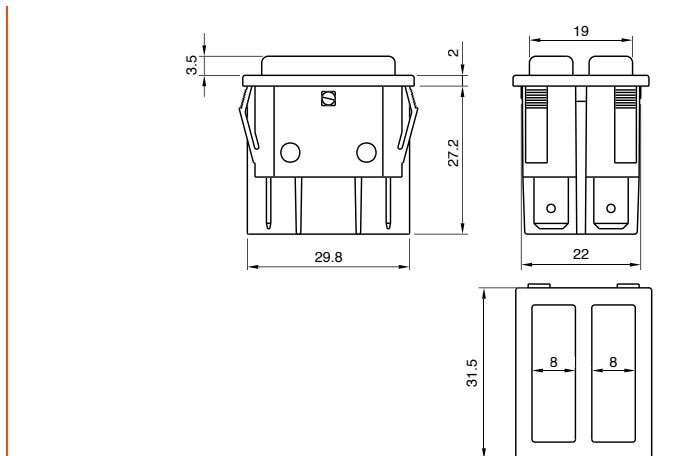
B6

FUNCTION	Indicator light SX83 series
AMBIENT TEMPERATURE	120 °C
GWT	850 °C
GWT NO FLAME (<2sec)	650 °C



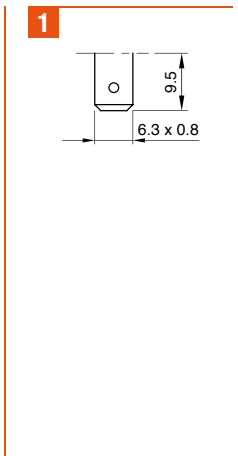
B 6

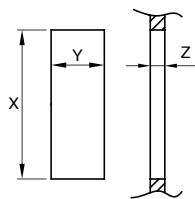
DRAWING



?

TERMINAL





Z	Y	X
0,75 ... 1,25	11,0 ±0,2 0	30,0 0 -0,1
1,25 ... 2,0	11,0 ±0,2 0	30,2 0 -0,1
2,0 ... 3,0	11,0 ±0,2 0	30,6 0 -0,2
3,0 ... 4,0	11,0 ±0,2 0	30,8 0 -0,2

TERMINAL	FUNCTION	RATING	BODY COLOR	LENS COLOR						
B	5				0	0	0	0	0	0

FUNCTION	RATING	BODY COLOR	LENS COLOR
?	?	?	?

0	0	0	0	0	0
---	---	---	---	---	---

1

2

200 - 250 VAC
T120 °C
VDE 710

200 - 250 VAC
T65 °C
UL 496
CSA C22.2

1

black

X

custom

ILLUMINATED

G

red

H

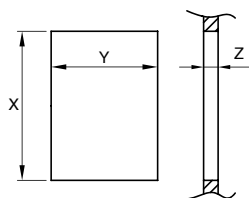
orange

E

green

X

custom



Z	Y	X
0,75 ... 1,25	22,0 ±0,2 0	30,0 0 -0,1
1,25 ... 2,0	22,0 ±0,2 0	30,2 0 -0,1
2,0 ... 3,0	22,0 ±0,2 0	30,6 0 -0,2
3,0 ... 4,0	22,0 ±0,2 0	30,8 0 -0,2

TERMINAL	FUNCTION	RATING	BODY COLOR	LENS COLOR L	LENS COLOR R					
B	6					0	0	0	0	0

FUNCTION	RATING	BODY COLOR	LENS COLOR
?	?	?	L ? R ?

0	0	0	0	0
---	---	---	---	---

1

2

200 - 250 VAC
T120 °C
VDE 710

200 - 250 VAC
T65 °C
UL 496
CSA C22.2

1

black

X

custom

ILLUMINATED

G

red

H

orange

E

green

X

custom