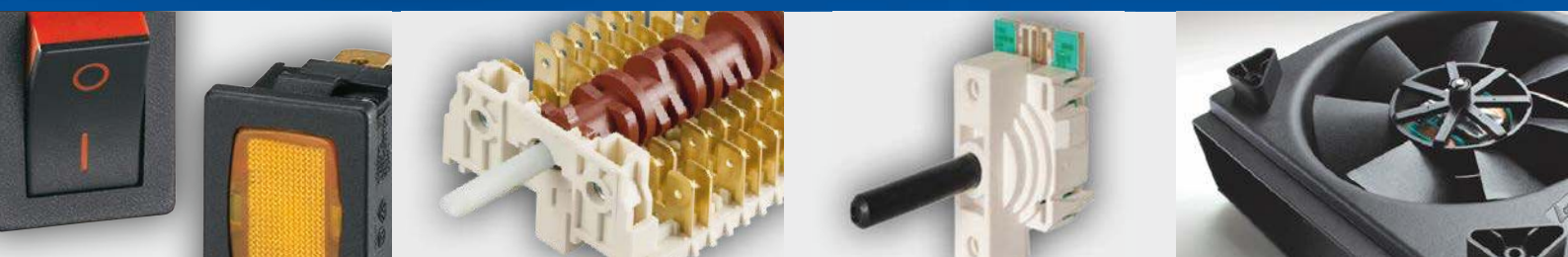


30 **CVEREL**

THE WORLD IN A CLICK



INDICATOR LIGHTS SWITCHES SIZE



Dreefs

 **SIGNAL LUX**

givem

M MOLVENO

 **KAUTT & BUX**

Indicator Lights Switches Size

03



A5

156



A7

156



B5

158



B6

158



B7

160



SP60
indicator light

160



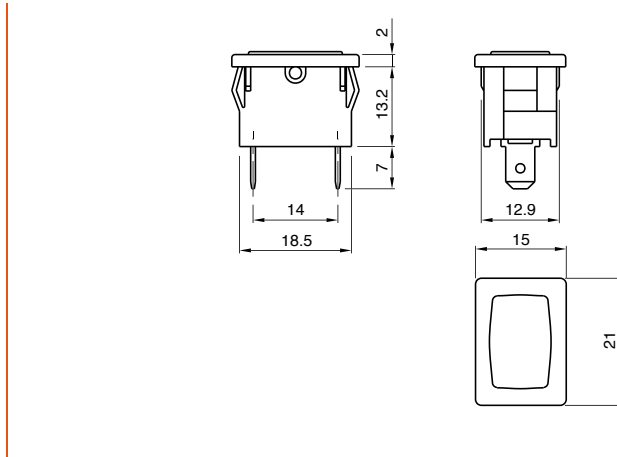
A5

FUNCTION	Indicator light A1 series
AMBIENT TEMPERATURE	125 °C
GWT	850 °C
GWT NO FLAME (<2sec)	650 °C



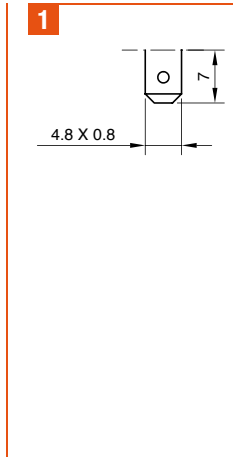
A 5

DRAWING



?

TERMINAL



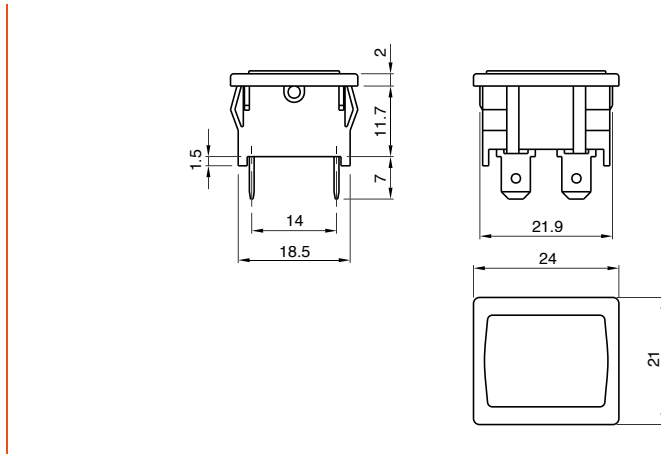
A7

FUNCTION	Indicator light A4 series
AMBIENT TEMPERATURE	125 °C
GWT	850 °C
GWT NO FLAME (<2sec)	650 °C



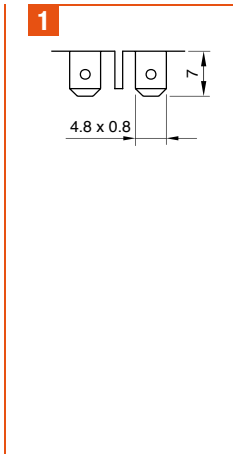
A 7

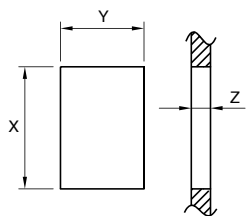
DRAWING



?

TERMINAL





Z	Y	X
0,7 ... 1,25	13,0 ±0,1	19,0 ±0,2
1,25 ... 2,0	13,0 ±0,1	19,3 ±0,2
2,0 ... 3,0	13,0 ±0,1	19,6 ±0,2

A	5	TERMINAL	FUNCTION	RATING	BODY COLOR	LENS COLOR	0	0	0	0	0
---	---	----------	----------	--------	------------	------------	---	---	---	---	---

?	?	?	?
FUNCTION	RATING	BODY COLOR	LENS COLOR

0	0	0	0	0
---	---	---	---	---

1

2

200 - 250 VAC
T125 °C
VDE 710

200 - 250 VAC
 T65 °C
 UL 496
 CSA C22.2

1

black

X

custom

ILLUMINATED

G

red

H

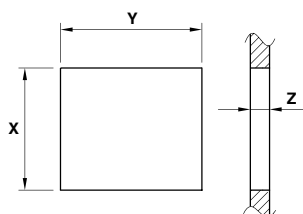
orange

E

green

X

custom



Z	Y	X
0,7 ... 1,25	22,0 ±0,1	19,0 ±0,2
1,25 ... 2,0	22,0 ±0,1	19,3 ±0,2
2,0 ... 3,0	22,0 ±0,1	19,6 ±0,2

A	7	TERMINAL	FUNCTION	RATING	BODY COLOR	LENS COLOR	0	0	0	0	0
---	---	----------	----------	--------	------------	------------	---	---	---	---	---

?	?	?	?
FUNCTION	RATING	BODY COLOR	LENS COLOR

0	0	0	0	0
---	---	---	---	---

1

2

200 - 250 VAC
T125 °C
VDE 710

200 - 250 VAC
 T65 °C
 UL 496
 CSA C22.2

1

black

X

custom

ILLUMINATED

G

red

H

orange

E

green

X

custom



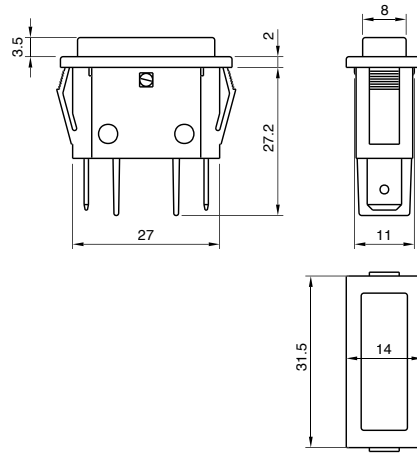
B5

FUNCTION	Indicator light SX81 series
AMBIENT TEMPERATURE	120 °C
GWT	850 °C
GWT NO FLAME (<2sec)	650 °C



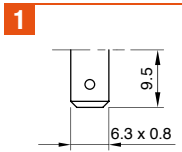
B 5

DRAWING



?

TERMINAL



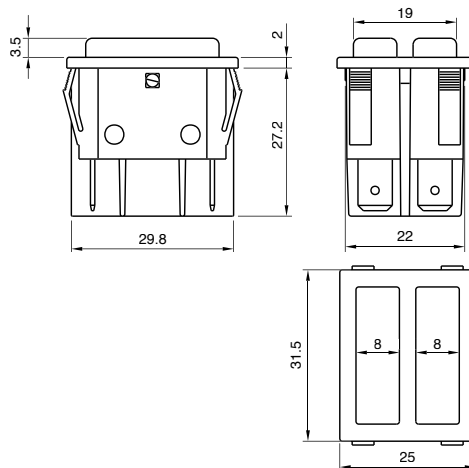
B6

FUNCTION	Indicator light SX83 series
AMBIENT TEMPERATURE	120 °C
GWT	850 °C
GWT NO FLAME (<2sec)	650 °C



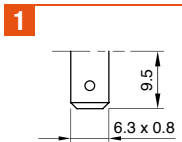
B 6

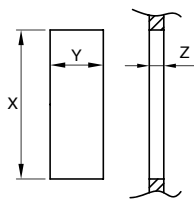
DRAWING



?

TERMINAL





Z	Y	X
0,75 ... 1,25	11,0 ±0,2 0	30,0 0 -0,1
1,25 ... 2,0	11,0 ±0,2 0	30,2 0 -0,1
2,0 ... 3,0	11,0 ±0,2 0	30,6 0 -0,2
3,0 ... 4,0	11,0 ±0,2 0	30,8 0 -0,2

TERMINAL	FUNCTION	RATING	BODY COLOR	LENS COLOR						
B	5				0	0	0	0	0	0

FUNCTION	RATING	BODY COLOR	LENS COLOR
?	?	?	?

0	0	0	0	0	0
---	---	---	---	---	---

1

2

200 - 250 VAC
T120 °C
VDE 710

200 - 250 VAC
T65 °C
UL 496
CSA C22.2

1

black

X

custom

ILLUMINATED

G

red

H

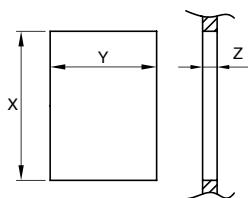
orange

E

green

X

custom



Z	Y	X
0,75 ... 1,25	22,0 ±0,2 0	30,0 0 -0,1
1,25 ... 2,0	22,0 ±0,2 0	30,2 0 -0,1
2,0 ... 3,0	22,0 ±0,2 0	30,6 0 -0,2
3,0 ... 4,0	22,0 ±0,2 0	30,8 0 -0,2

TERMINAL	FUNCTION	RATING	BODY COLOR	LENS COLOR L	LENS COLOR R					
B	6					0	0	0	0	0

FUNCTION	RATING	BODY COLOR	LENS COLOR
?	?	?	L ? R ?

0	0	0	0	0
---	---	---	---	---

1

2

200 - 250 VAC
T120 °C
VDE 710

200 - 250 VAC
T65 °C
UL 496
CSA C22.2

1

black

X

custom

ILLUMINATED

G

red

H

orange

E

green

X

custom



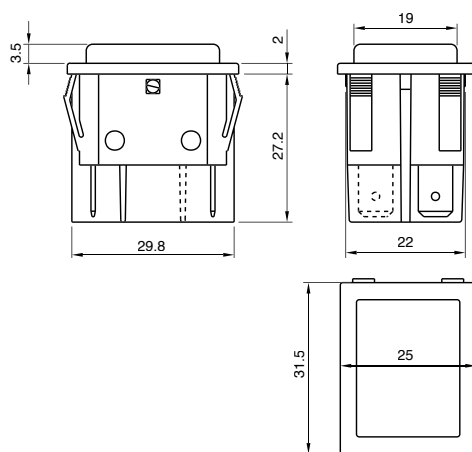
B7

FUNCTION	Indicator light SX82 series
AMBIENT TEMPERATURE	120 °C
GWT	850 °C
GWT NO FLAME (<2sec)	650 °C



B 7

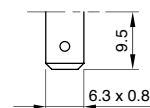
DRAWING



?

TERMINAL

1



SP60

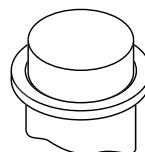
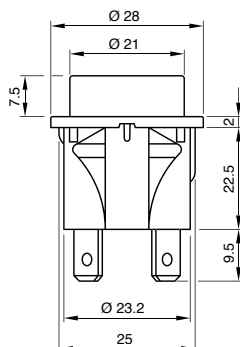
INDICATOR LIGHT

FUNCTION	Indicator light SP60 series
AMBIENT TEMPERATURE	120 °C
GWT	850 °C
GWT NO FLAME (<2sec)	650 °C



S P 6 0

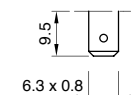
DRAWING

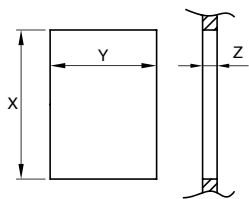


?

TERMINAL

3





Z	Y	X
0,75 ... 1,25	22,0 ±0,2 0	30,0 0 -0,1
1,25 ... 2,0	22,0 ±0,2 0	30,2 0 -0,1
2,0 ... 3,0	22,0 ±0,2 0	30,6 0 -0,2
3,0 ... 4,0	22,0 ±0,2 0	30,8 0 -0,2

TERMINAL	FUNCTION	RATING	BODY COLOR	LENS COLOR
B	7			

0 0 0 0 0 0

? ? ? ?

FUNCTION **RATING** **BODY COLOR** **LENS COLOR**

0 0 0 0 0 0

1

2

200 - 250 VAC
T120 °C
VDE 710

200 - 250 VAC
T65 °C
UL 496
CSA C22.2

1

black

X

custom

ILLUMINATED

G

red

H

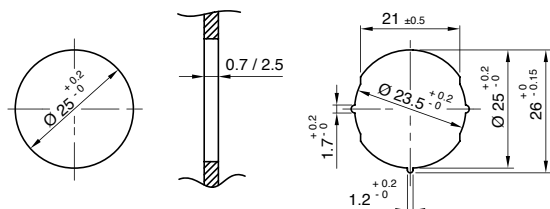
orange

E

green

X

custom



TERMINAL	FUNCTION	RATING	BODY COLOR	LENS COLOR
S	P	6	0	

0 0 0 0

? ? ? ?

FUNCTION **RATING** **BODY COLOR** **LENS COLOR**

0 0 0 0

9

2

220 VAC
T120 °C
VDE 710

220 VAC
T65 °C
UL 496
CSA C22.2

1

black

X

custom

ILLUMINATED

G

red

H

orange

E

green

X

custom



Everel Group S.P.A.

[Headquarter - Production Site]

Via Cavour, 9

37067 Valeggio sul Mincio (VR) - Italy

tel. +39 045 6313711

fax +39 045 6313730

Dreefs GmbH

[Production Site]

Ernst-Dreefs-Straße 7

96364 Marktrodach - Germany

tel. +49 9261 9610

fax +49 9261 961248

Everel Romania S.r.l.

[Production Site]

Calea Timisorii 109

Lipova - Arad - Romania

tel. +40 257 563087

fax +40 257 563086

www.everelgroup.com

