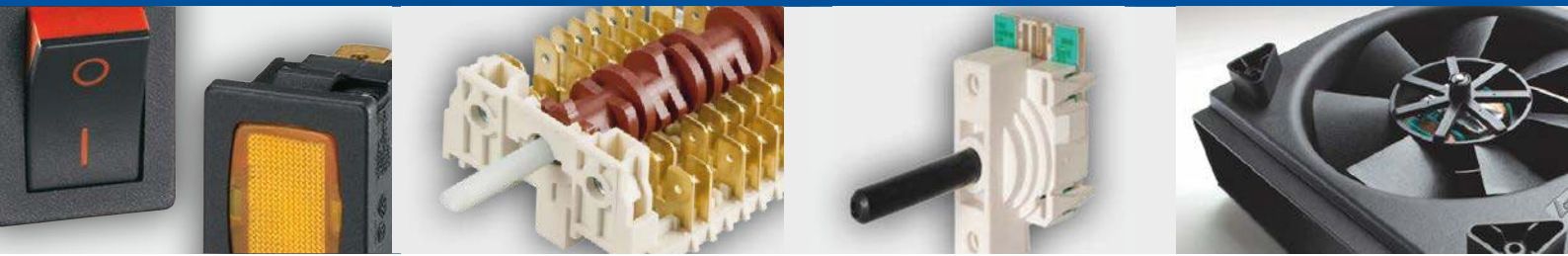


30 **Cverel** THE WORLD IN A CLICK



PUSH-BUTTON SWITCHES



Push-Button Switches

01



SXL4

72



DY1

86



SCA

74



DY2

88



P1

76



**DY
Accessories**

90



SP60

78



SPM

92



SP63

80



TOUCH

94



SXL5

82



RFIT

96



LITE

84



SXL4

TYPICAL APPLICATIONS Coffee machines, washing machines

- FUNCTIONS**
- SPST, momentary or not
 - SPST, illuminated or not
 - DPST, momentary or not
 - DPST, illuminated or not

CYCLE No. 50.000

CUT OUT 19x13 mm

AMBIENT TEMPERATURE 125 °C

GWT 850 °C

GWT NO FLAME (<2sec) 750 °C



S X L 4 ?

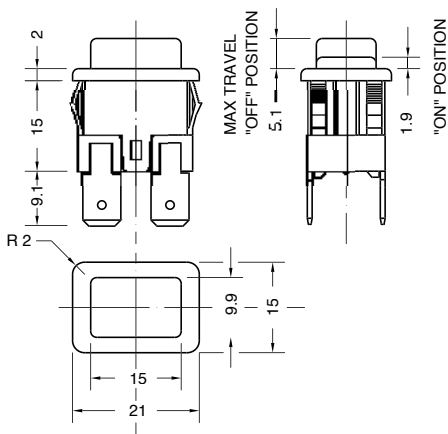
?

DRAWING

TERMINAL



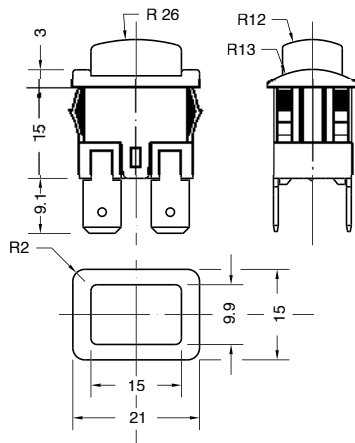
1 FLAT



1 Drawing 1 - 2 - 3 Vertical terminal 6.3x0.8



2 BOWL



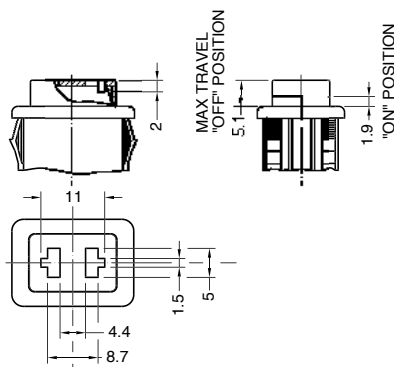
2 Drawing 1 - 2 - 3 Vertical terminal 4.8x0.8



B Drawing 1 - 3 Horizontal terminal 4.8x0.8

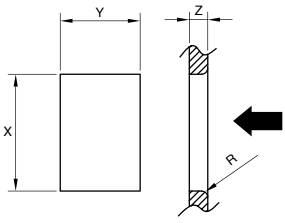


3 CUSTOMIZABLE

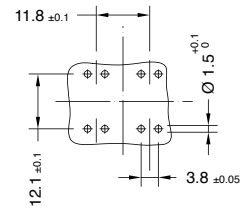
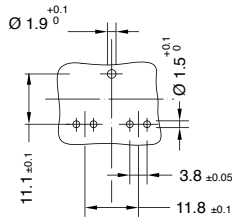


4 Drawing 1 - 2 Vertical PCB terminal





Z	Y	X
0,5-1,2	12,9 ^{+0,1} ₀	19,0 ^{+0,2} ₀
1,2-2,0	12,9 ^{+0,1} ₀	19,3 ^{+0,2} ₀
2,0-3,0	12,9 ^{+0,1} ₀	19,6 ^{+0,2} ₀



DRAWING	TERMINAL	FUNCTION	RATING	BODY COLOUR	BUTTON COLOUR	MARKING COLOUR	MARKING
S	X	L	4				
							0 0 0 W

?	?	?	?	?	?	0	0	0	W
---	---	---	---	---	---	---	---	---	---

FUNCTION RATING BODY COLOUR BUTTON COLOUR MARKING COLOUR MARKING

1

2

4

6 No drawing 3

7

8 No drawing 3

H

16 (4) A / 250 VAC
 10 (6) A / 250 VAC - 5E4
 T125/55 °C
 EN 61058

16 A - 125 / 250 VAC
 3/4 HP - 125 / 250 VAC
 T100 °C
 UL 1054

9

12 (8) A / 250 VAC - 5E4
 T85/55 °C
 EN 61058

1 black

2 white

X custom

Drawing 1 - 3

1 black

2 white

Drawing 1 - 2

M white

N black

R red

0 none

1 black

2 white

X custom

0

1

R

X

ILLUMINATED

G red

H orange

E green

L white

F blue

X custom



SCA



TYPICAL APPLICATIONS	Ironing systems
FUNCTIONS	■ SPST momentary
CYCLE No.	50.000
CUT OUT	19x13 mm
AMBIENT TEMPERATURE	120 °C
GWT	850 °C
GWT NO FLAME (<2sec)	750 °C on demand

0

5

8

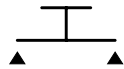
4

?

?

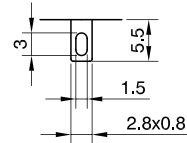


FUNCTION

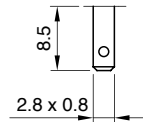


TERMINAL

0



4



RATING

2

2 (1) A / 250 VAC
1 (0.5) A / 250 VAC - 5E4
T120 °C
EN 61058

2 A - 125 / 250 VAC
T65 °C
UL 1054
CSA C22.2

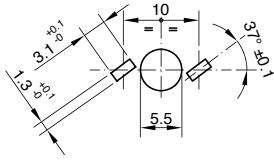
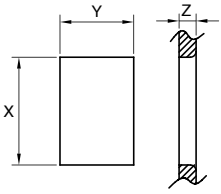
4

6 (4) A / 250 VAC
5 (2) A / 250 VAC - 5E4
T120 °C
EN 61058

6

10 (4) A / 250 VAC
5 (2) A / 250 VAC - 5E4
T120 °C
EN 61058

6 A - 125 / 250 VAC
1/6 HP - 250 VAC
1/8 HP - 125 VAC
T65 °C
UL 1054
CSA C22.2



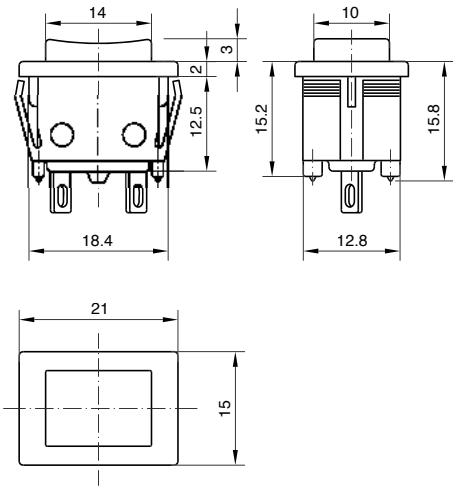
Z	Y	X
0,70 ... 1,25	13,0 ±0,1	19,0 ±0,1
1,25 ... 2,0	13,0 ±0,1	19,3 ±0,2
2,0 ... 3,0	13,0 ±0,1	19,6 ±0,2

0	5	8	4	TERMINAL	RATING	DRAWING	BODY COLOUR	BUTTON COLOUR	MARKING COLOUR	MARKING	0	0
---	---	---	---	----------	--------	---------	-------------	---------------	----------------	---------	---	---

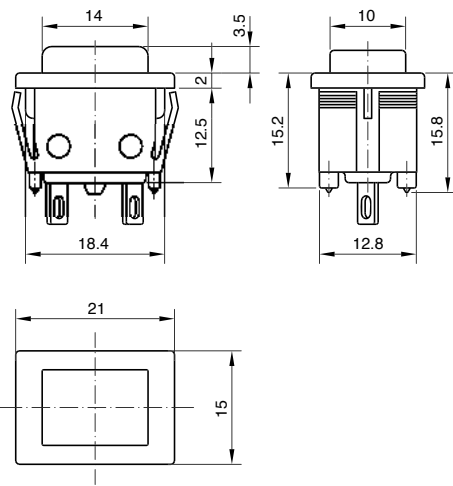
?	?	?	?	?	?	?	?	?	?	?	0	0
---	---	---	---	---	---	---	---	---	---	---	---	---

DRAWING **BODY COLOUR** **BUTTON COLOUR** **MARKING COLOUR** **MARKING**

A Mat



B Gloss



- 1** black
- 2** white
- X** ? custom

- 1** black
- 2** white
- X** ? custom

- 0** none
- 1** black
- 2** white
- X** ? custom

- 0**
- X** ?



P1

TYPICAL APPLICATIONS Cooking, small appliances, HVAC

FUNCTIONS

- SPST momentary, illuminated or not
- DPST momentary

CYCLE No. 50.000

CUT OUT ø 16 mm

AMBIENT TEMPERATURE 125 °C

GWT 850 °C

GWT NO FLAME (<2sec) 750 °C on demand



P

1

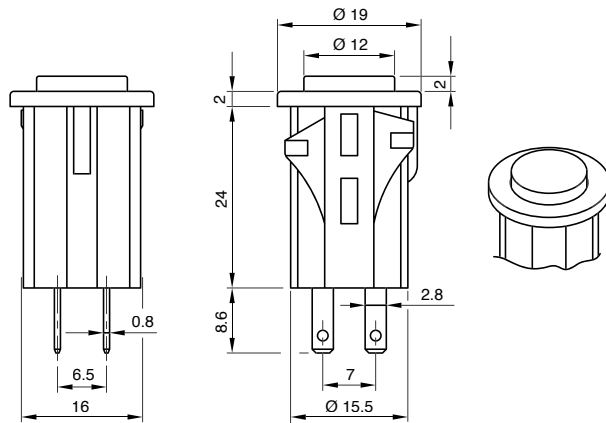
?

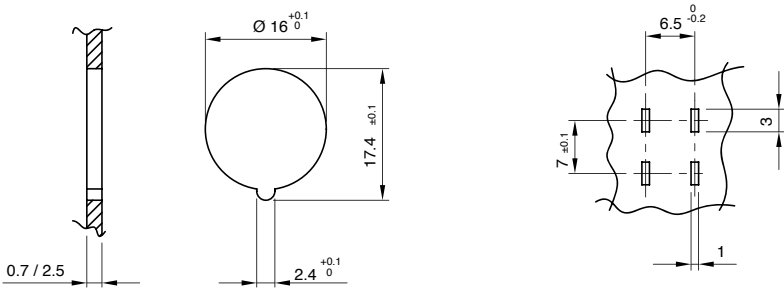
DRAWING



WATERPROOF CAP

2





P	1	DRAWING	FUNCTION	RATING	BODY COLOUR	BUTTON COLOUR	MARKING COLOUR	MARKING	0	0	0
---	---	---------	----------	--------	-------------	---------------	----------------	---------	---	---	---

?	?	?	?	?	?	?	?	0	0	0
---	---	---	---	---	---	---	---	---	---	---

FUNCTION **RATING** **BODY COLOUR** **BUTTON COLOUR** **MARKING COLOUR** **MARKING**

4

7

N

P

3
 3 (1) A / 250 VAC
 0.5 A / 250 VAC - 5E4
 T125 °C
 EN 61058

On demand
 2A/125 VAC
 T65 °C
 UL 1054

1
 black

2
 white

X **?**
 custom

1
 black

2
 white

5
 grey

9
 red

ILLUMINATED

G
 red

X **?**
 custom

0
 none

1
 black

2
 white

X **?**
 custom

0

7

8

X **?**



SP60



TYPICAL APPLICATIONS Vacuum and steam cleaners

FUNCTIONS

- SPST, momentary or not
- SPST, illuminated or not
- DPST, illuminated or not

CYCLE No. 50.000

CUT OUT \varnothing 25 mm

AMBIENT TEMPERATURE 120 °C

GWT 850 °C

GWT NO FLAME (<2sec) 750 °C on demand

S P 6 0

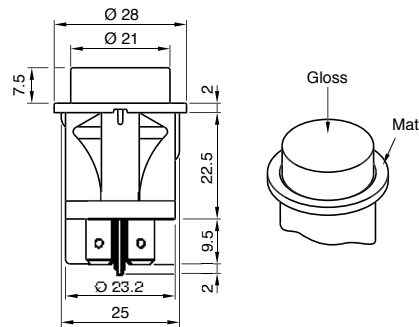
?

DRAWING

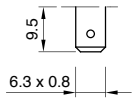
TERMINAL



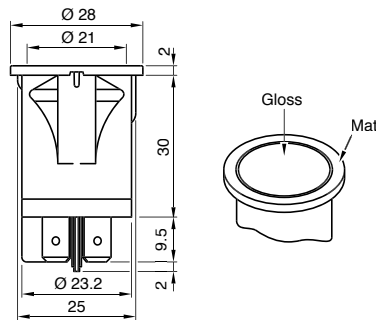
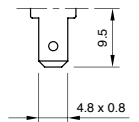
WATERPROOF CAP



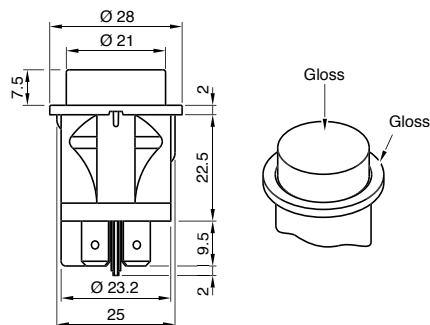
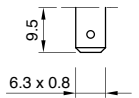
1



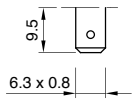
A



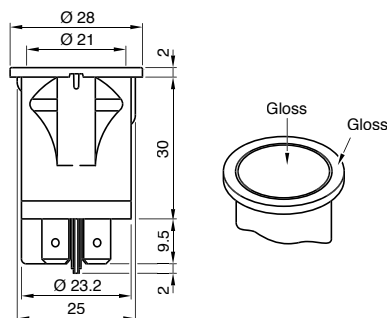
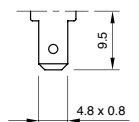
2



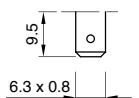
4

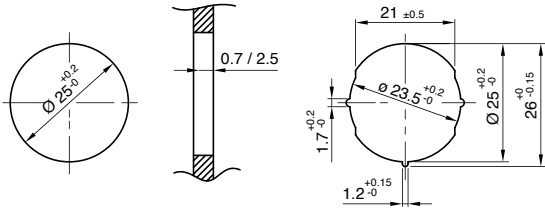


D



5





S	P	6	0	TERMINAL	FUNCTION	RATING	BODY COLOUR	BUTTON COLOUR	MARKING COLOUR	MARKING	0	0
---	---	---	---	----------	----------	--------	-------------	---------------	----------------	---------	---	---

?	?	?	?	?	?	?	0	0
---	---	---	---	---	---	---	---	---

FUNCTION RATING BODY COLOUR BUTTON COLOUR MARKING COLOUR MARKING

1

2

4

6

8

7

16 (6) A / 250 VAC
 10 (4) 250 VAC - 5E4
 10 (4) A / 400 VAC
 T120/55 °C
 EN 61058

16 A - 125 / 250 VAC
 1/4 HP / 125 VAC
 1/2 HP / 250 VAC
 T95 °C
 UL 1054

C

16 (6) A / 250 VAC
 10 (4) 250 VAC - 5E4
 10 (4) A / 400 VAC
 T120/55 °C
 EN 61058

1 black

2 white

X custom

M white

N black

R red

ILLUMINATED

G red

H orange

E green

L white

X custom

No lens

0

0 none

1 black

2 white

X custom

0

7

D

E

K

X

ACCESSORIES



Other colours available on demand.



SP63

TYPICAL APPLICATIONS Vacuum and steam cleaners

FUNCTIONS

- SPST, momentary or not
- SPST, illuminated or not
- DPST illuminated

CYCLE No. 50.000

CUT OUT 27x22 mm

AMBIENT TEMPERATURE 120 °C

GWT 850 °C

GWT NO FLAME (<2sec) 750 °C on demand



S

P

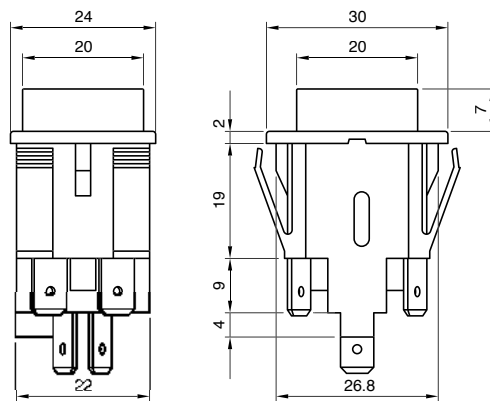
6

3

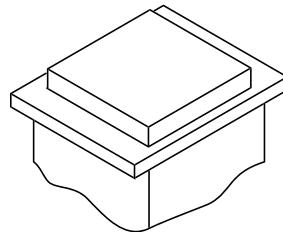
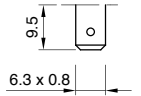
?

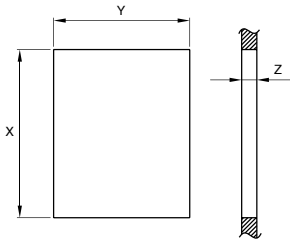
DRAWING

TERMINAL



1





Z	Y	X
0,7 ... 2,5	22,2 ^{+0,3} ₀	27,2 ^{+0,3} ₀

S	P	6	3	TERMINAL	FUNCTION	RATING	BODY COLOUR	BUTTON COLOUR	MARKING COLOUR	MARKING	0	0

?	?	?	?	?	?	?	0	0
---	---	---	---	---	---	---	---	---

FUNCTION RATING BODY COLOUR BUTTON COLOUR MARKING COLOUR MARKING

4

6

8

N

C
 16 (6) A / 250 VAC
 10 (4) A / 250 VAC - 5E4
 10 (4) A / 400 VAC
 T120 °C
 EN 61058

1 black

X custom

M white

N black

R red

ILLUMINATED

G red

H orange

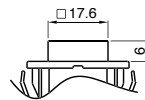
E green

L white

X custom

No lens

0



0 none

1 black

2 white

X custom

0

4

7

X

ACCESSORIES



SP63T1E0000



SP63T1G0000



SP63T1H0000

Other colours available on demand.



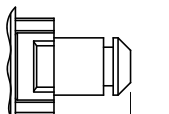
SXL5

TYPICAL APPLICATIONS	Vacuum cleaners, washing machines, dishwashers, hydrocleaners
FUNCTIONS	<ul style="list-style-type: none"> ■ SPST, momentary or not ■ DPST, momentary or not
CYCLE No.	50.000
CUT OUT	Rear panel
AMBIENT TEMPERATURE	125 °C
GWT	850 °C
GWT NO FLAME (<2sec)	750 °C



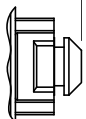
TRAVEL POSITION

OFF position



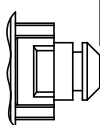
Max travel

5,1 ±0,2



ON position

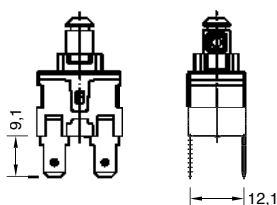
3,2 ±0,2



DRAWING

1

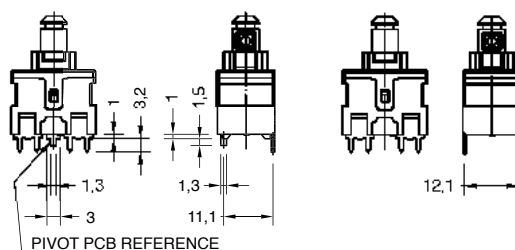
Vertical tab terminals



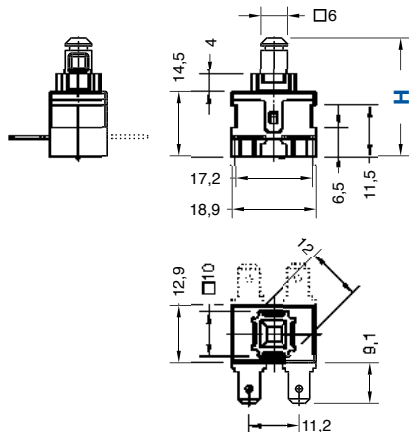
Vertical PCB terminals

Single pole version

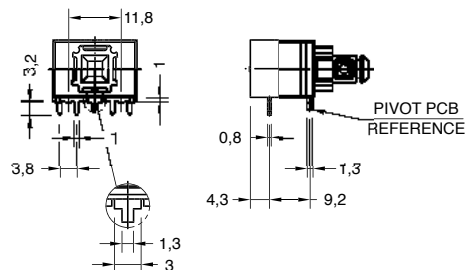
Double pole version



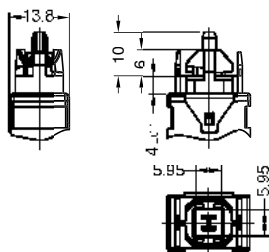
Horizontal tab terminals



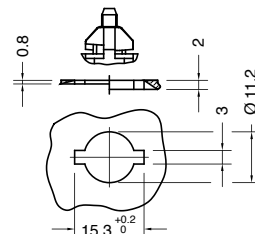
Horizontal PCB terminals



2



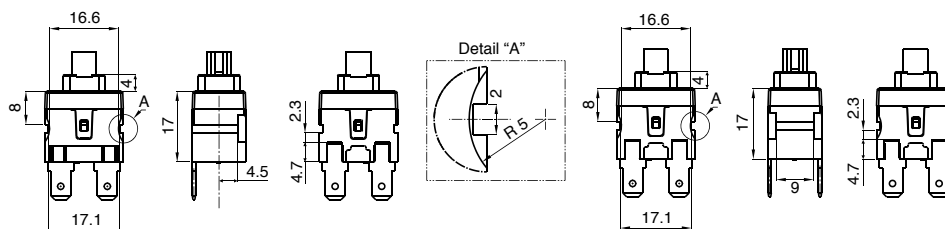
Wings fixing

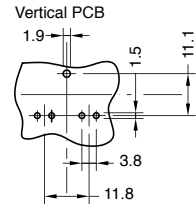
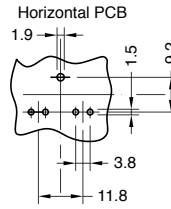
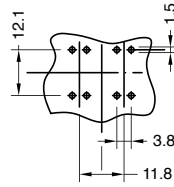
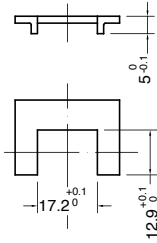
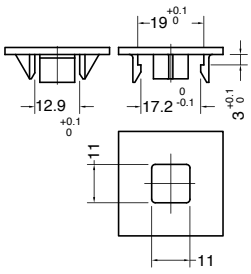


3

Single pole version

Double pole version





DRAWING TERMINAL SHAFT FUNCTION RATING

S	X	L	5						0	0	0	W
---	---	---	---	--	--	--	--	--	---	---	---	---

?

TERMINAL

1 Drawing 1 - 2 - 3
Vertical terminal
6.3x0.8



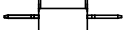
A Drawing 1 - 3
Horizontal terminal
6.3x0.8



2 Drawing 1 - 2 - 3
Vertical terminal
4.8x0.8



B Drawing 1 - 3
Horizontal terminal
4.8x0.8



4 Drawing 1 - 2
Vertical PCB terminal



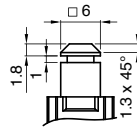
D Drawing 1
Horizontal PCB terminal
only function 1 - 4



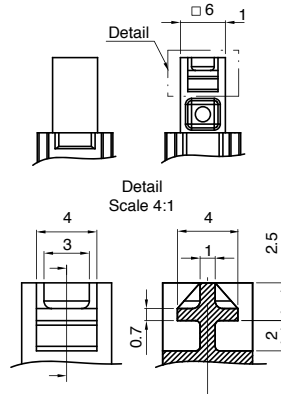
?

SHAFT

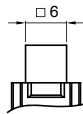
A H = 26.5
Available with drawings 1 and 2



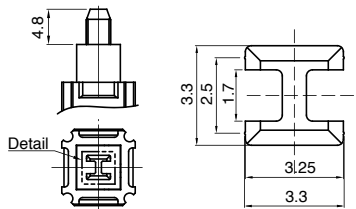
B H = 28.5



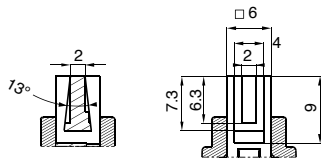
C H = 24
Available with drawings 1 and 2



D H = 28.5

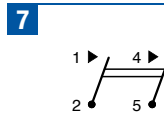
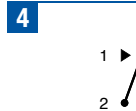
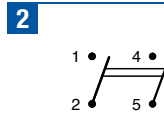


E H = 26.5



?

FUNCTION



?

RATING

H
12 (8) A / 250 VAC
16 (4) A / 250 VAC
10 (6) A / 250 VAC - 5E4
T125/55 °C
EN 61058 / CQC

16 A - 125 / 250 VAC
3/4 HP - 125 / 250 VAC
T100 °C
UL 1054

9
12 (8) A / 250 VAC - 5E4
T85/55 °C
EN 61058

16 A - 125 / 250 VAC
3/4 HP - 125 / 250 VAC
T100 °C
UL 1054

0	0	0	W
---	---	---	---



LITE

TYPICAL APPLICATIONS Coffee machines

FUNCTIONS ■ SPST, illuminated or not
■ DPST illuminated

CYCLE No. 50.000

CUT OUT 19x13 mm rear panel

AMBIENT TEMPERATURE 125 °C

GWT 850 °C

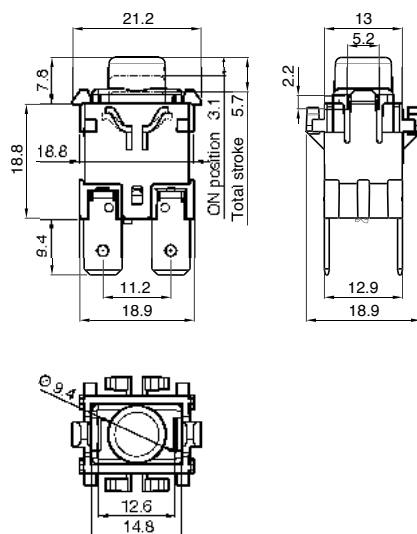
GWT NO FLAME (<2sec) 750 °C



L I T E ?

DRAWING

1



?

TERMINAL

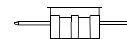
1 Vertical terminal
6.3x0.8

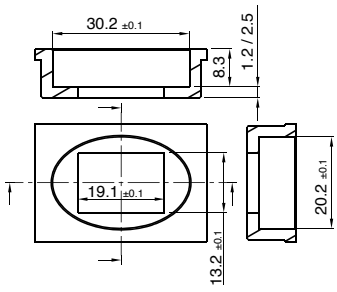


2 Vertical terminal
4.8x0.8



A Horizontal terminal
6.3x0.8





L	I	T	E	DRAWING	TERMINAL	AESTHETIC	FUNCTION	RATING	LENS COLOUR	LAMP COLOUR	0	0	0
---	---	---	---	---------	----------	-----------	----------	--------	-------------	-------------	---	---	---

?	?	?	?	?	?	?	?	?	?	?	0	0	0
---	---	---	---	---	---	---	---	---	---	---	---	---	---

AESTHETIC

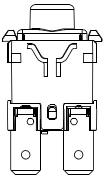
FUNCTION

RATING

LENS COLOUR

LAMP COLOUR

A



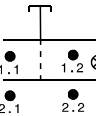
1



5



8



C

16 (6) A / 250 VAC
12 (10) A / 250 VAC
8 (8) A / 250 VAC - 5E4
T125/55 °C
EN 61058

16 A - 125 / 250 VAC
1/2 HP - 125 VAC
3/4 HP - 250 VAC
T100 °C
UL 1054

L

colourless

O

no lamp

G

red

E

green

ACCESSORIES



LITET1N0000



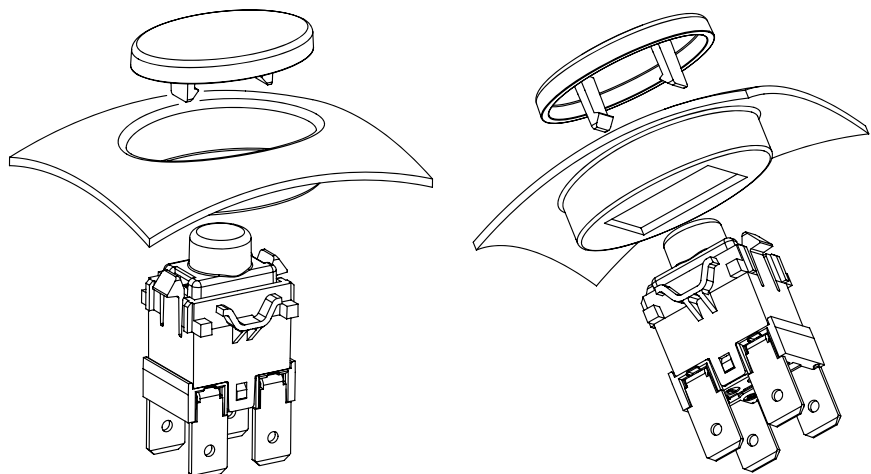
LITET1M0000



LITET1E0000



LITET1G0000





DY1

TYPICAL APPLICATIONS Cooking, washing, coffee machines

FUNCTIONS ■ SPST, momentary or not
■ SPDT, momentary or not

CYCLE No. 50.000

CUT OUT Rear panel

AMBIENT TEMPERATURE 125 °C

GWT 850 °C

GWT NO FLAME (<2sec) 750 °C

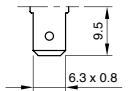
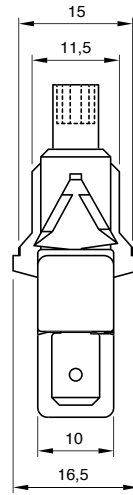
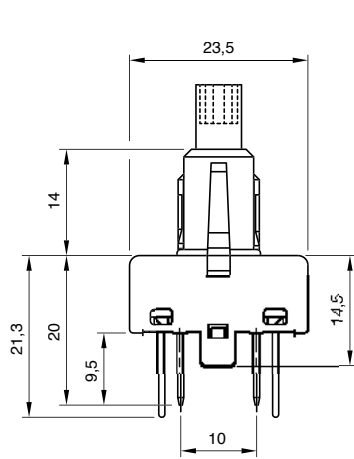


D Y 1

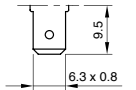
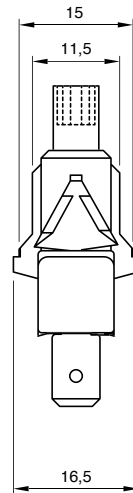
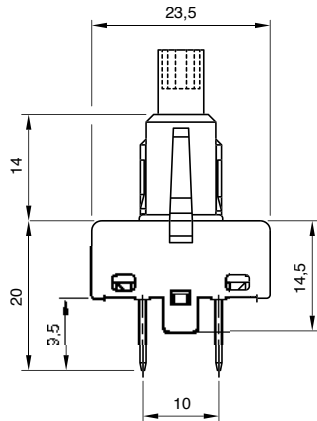
?

DRAWING

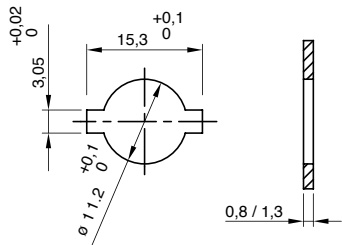
TERMINAL



1



6



	TERMINAL	SHAFT	LATCHING FUNCTION	FUNCTION	RATING			
D	Y	1				0	0	0

?

SHAFT

?

LATCHING FUNCTION

? ?

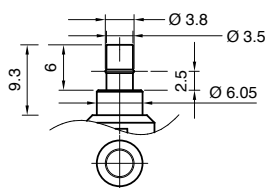
FUNCTION

?

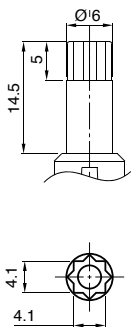
0 0 0

RATING

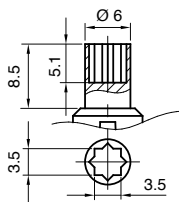
E



G



K



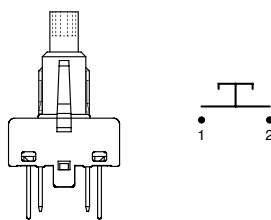
S Push to On - Push to Off



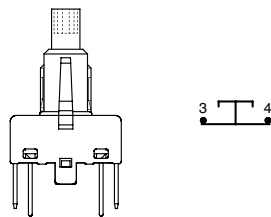
M Momentary



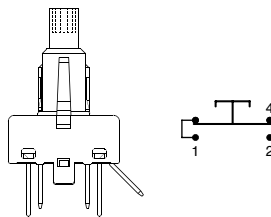
10



60



30



E

Function 10
 16 (6) A / 250 VAC
 10 (4) A / 250 VAC - 5E4
 T125/55 °C
 6 (2) A / 250 VAC
 T150/55 °C
 EN 61058

13 A / 250 VAC
 3/4 HP - 250 VAC
 1/3 HP - 125 VAC
 T65 °C
 UL 1054

Function 60
 16 (6) A / 250 VAC
 10 (4) A / 250 VAC - 5E4
 T125/55 °C
 EN 61058

13 A / 250 VAC
 3/4 HP - 250 VAC
 1/3 HP - 125 VAC
 T65 °C
 UL 1054

N

Function 30
 12 (4) A / 250 VAC
 10 (4) A / 250 VAC - 5E4
 T125/55 °C
 μ disconnection
 EN 61058

13 A / 250 VAC
 3/4 HP - 250 VAC
 1/3 HP - 125 VAC
 T65 °C
 UL 1054



DY2



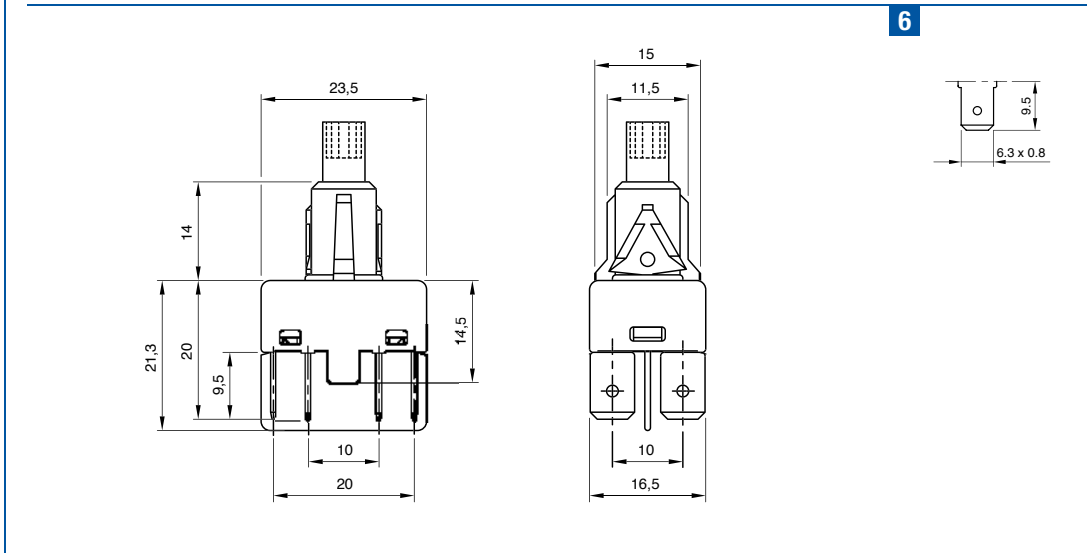
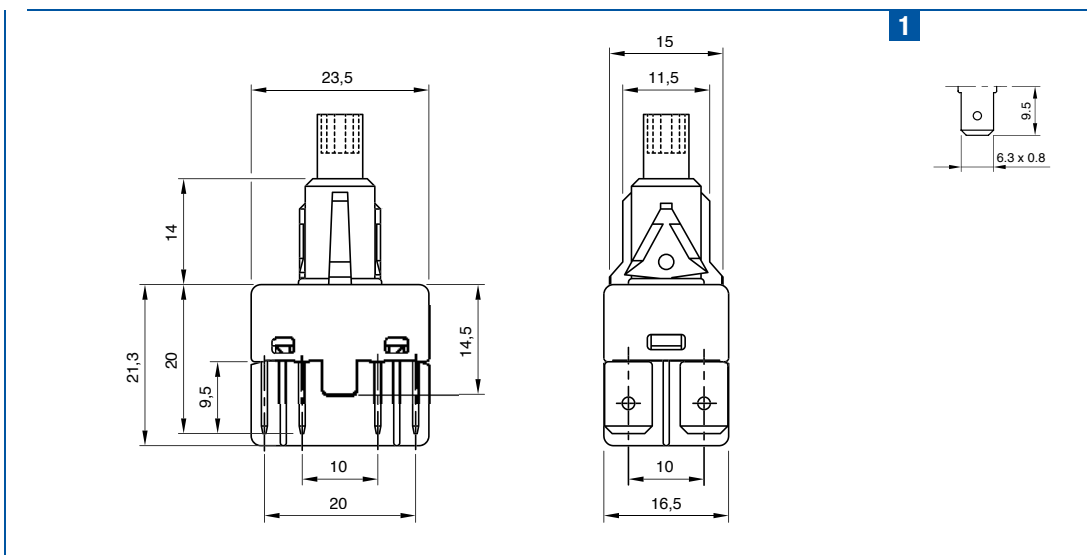
TYPICAL APPLICATIONS	Cooking, washing, coffee machines
FUNCTIONS	<ul style="list-style-type: none"> ■ DPST, momentary or not ■ SPST+SPDT, momentary or not
CYCLE No.	50.000
CUT OUT	Rear panel
AMBIENT TEMPERATURE	125 °C
GWT	850 °C
GWT NO FLAME (<2sec)	750 °C

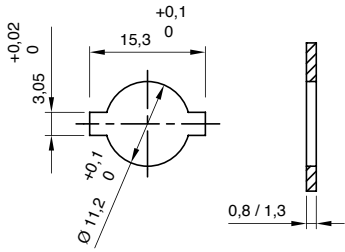
D **Y** **2**

DRAWING

?

TERMINAL





D	Y	2	TERMINAL	SHAFT	LATCHING FUNCTION	FUNCTION	RATING	0	0	0
---	---	---	----------	-------	-------------------	----------	--------	---	---	---

?

SHAFT

E

K

?

LATCHING FUNCTION

S Push to On - Push to Off

M Momentary

?

FUNCTION

11

13

?

RATING

E

Function 11

16 (6) A / 250 VAC
 10 (4) A / 250 VAC - 5E4
 T125/55 °C
 EN 61058

13 A / 250 VAC
 3/4 HP - 250 VAC
 1/3 HP - 125 VAC
 T65 °C
 UL 1054

P

Function 13

- Side switch (1-2)
 16 (6) A / 250 VAC
 10 (4) A / 250 VAC - 5E4
 T125/55 °C
 EN 61058

- Side changeover (5-6-7)
 12 (4) A / 250 VAC
 10 (4) A / 250 VAC - 5E4
 T125/55 °C
 μ disconnection
 EN 61058

13 A / 250 VAC
 T65 °C
 UL 1054

0 0 0



DYST

Accessories for DY series

TYPICAL APPLICATIONS Cooking, washing, coffee machines

CUT OUT See drawing

AMBIENT TEMPERATURE up to 125 °C

GWT 850 °C

D	Y	S	T	TYPE	BODY COLOUR	0	0	0	0
---	---	---	---	------	-------------	---	---	---	---

D	Y	S	T	?	?	0	0	0	0
---	---	---	---	---	---	---	---	---	---

CUT OUT

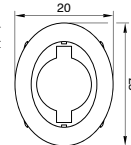
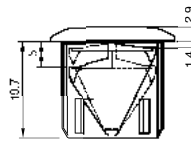
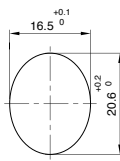
DRAWING

TYPE

BODY COLOUR



Oval body



5 Standard

7 Painted

Standard

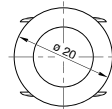
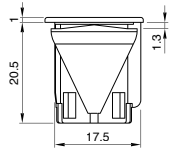
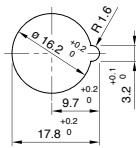
1 black

2 white

Painted

1 chrome

Round body with antirotation rib

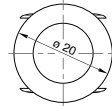
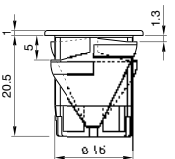


1 Standard

9 Painted

X ?
custom

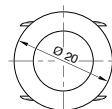
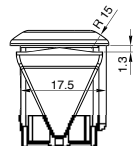
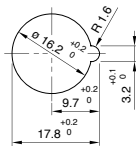
Round body



3 Standard

8 Painted

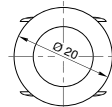
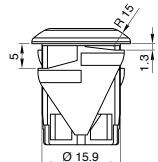
Soft Round body with antirotation rib



G Standard

S Painted

Soft Round body



L Standard

T Painted



DYT

Accessories for DY series

TYPICAL APPLICATIONS	Cooking, washing, coffee machines
CUT OUT	See drawing
AMBIENT TEMPERATURE	55 °C
GWT	850 °C

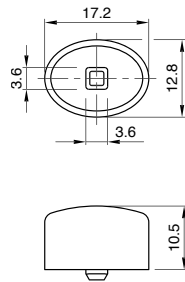
D	Y	T						0	0

D	Y	T	?	?	?	?	?	0	0
---	---	---	---	---	---	---	---	---	---

DRAWING **TYPE** **BUTTON COLOUR** **MARKING COLOUR** **MARKING**



Oval button



5K Standard

7K Painted

Standard

- 1** black
- 2** white

Painted

- 1** chrome

0
none

1 black

2 white

X custom

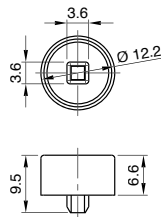
0



X



Round button

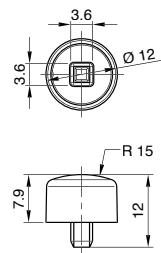


1K Standard

8K Painted

X custom

Soft Round button



3K Standard

9K Painted



SPM



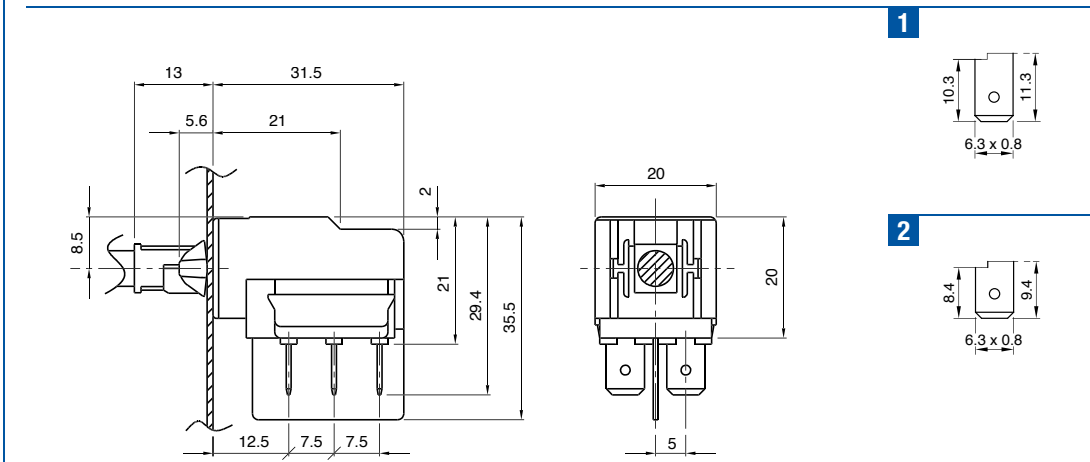
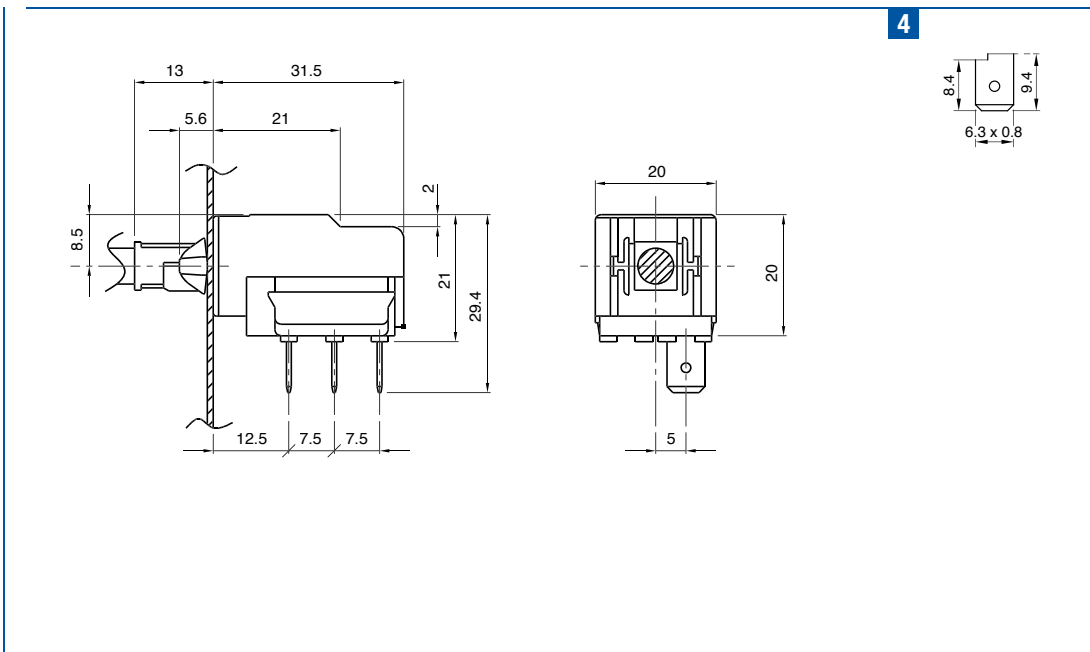
TYPICAL APPLICATIONS	Washing
FUNCTIONS	<ul style="list-style-type: none"> ■ SPST, momentary or not ■ SPDT ■ DPST, momentary or not ■ DPDT
CYCLE No.	50.000
CUT OUT	Rear panel
AMBIENT TEMPERATURE	125 °C
GWT	850 °C
GWT NO FLAME (<2sec)	750 °C (Rating C)

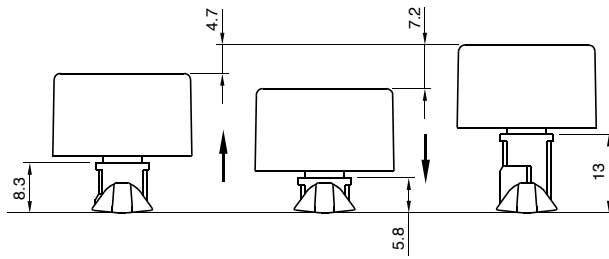
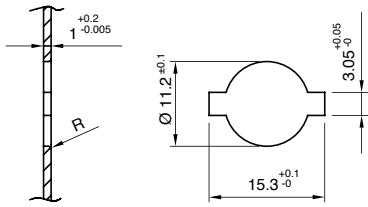
S P M

?

DRAWING

TERMINAL





S	P	M	TERMINAL	SHAFT	FUNCTION	RATING
						0 0 0

?

SHAFT

?

FUNCTION

?

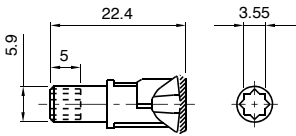
RATING

0

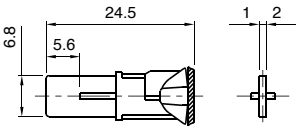
0

0

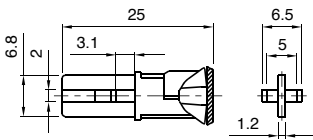
C



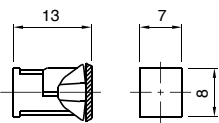
E



M



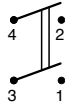
P



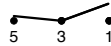
1



2



3



4



7



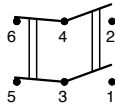
C



K



L



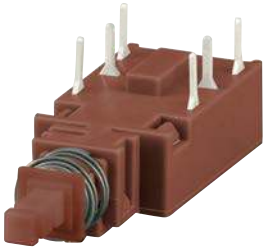
4

16 (8) A / 250 VAC
10 (6) A / 250 VAC - 5E4
10 A / 400 VAC
T125 °C
EN 61058

C

16 (8) A / 250 VAC
10 (6) A / 250 VAC - 5E4
10 A / 400 VAC
T125 °C
EN 61058

20 A / 125 VAC
16 A / 250 VAC
1/3 HP - 125 VAC
3/4 HP - 250 VAC
T65 °C
UL 1054
CSA C22.2



TOUCH

TYPICAL APPLICATIONS Cooker hoods, coffee machines, microwave

- FUNCTIONS**
- SPST, momentary or not
 - SPDT, momentary or not
 - DPST, momentary or not
 - DPDT, momentary or not

CYCLE No. 10.000

CUT OUT -

AMBIENT TEMPERATURE 110 °C

GWT 850 °C

GWT NO FLAME (<2sec) 750 °C

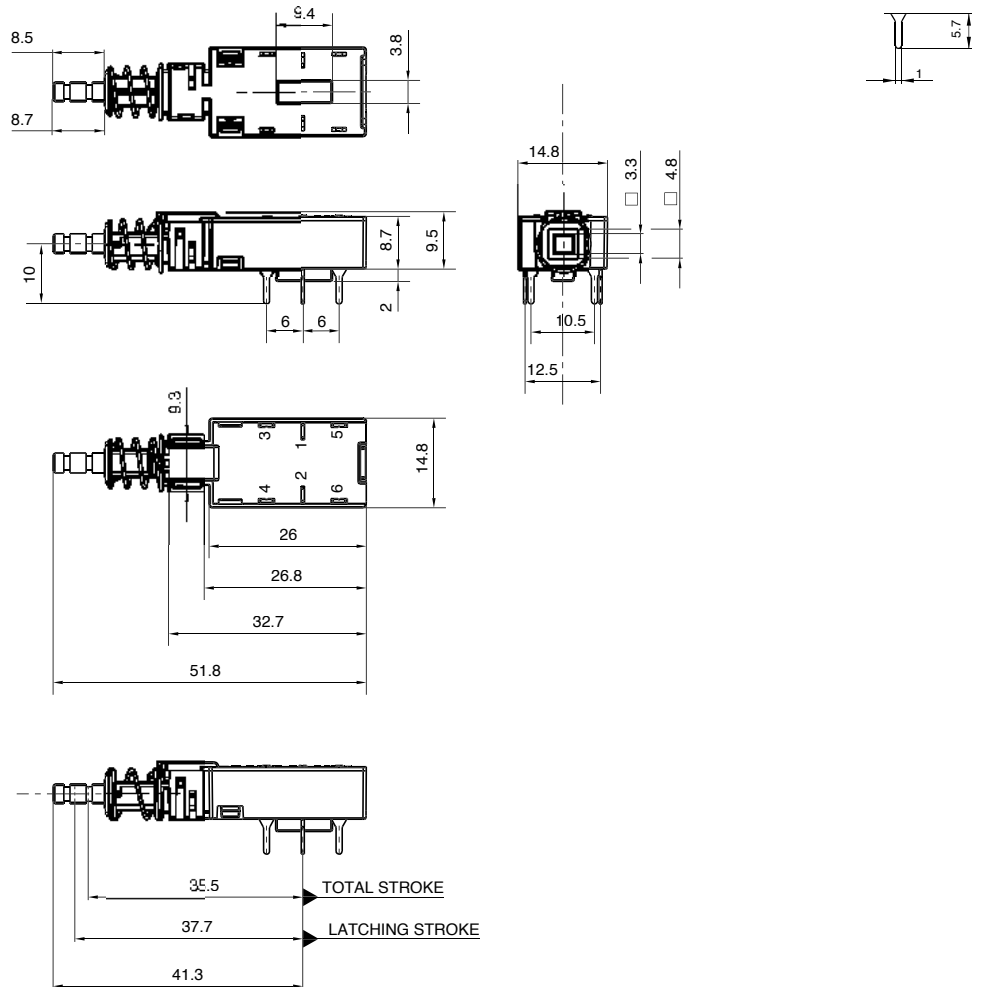


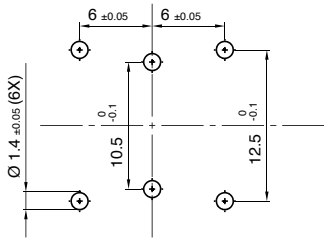
T O U C H

?

TERMINAL

4



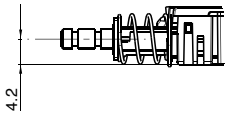


TERMINAL	SHAFT	FUNCTION	RATING								
T	O	U	C	H					0	0	W

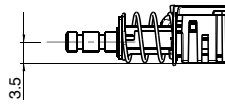
?

SHAFT

A



B



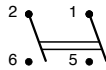
?

FUNCTION

1



2



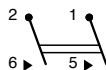
3



4



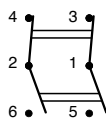
7



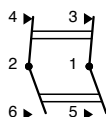
B



L



M



?

RATING

2

5 (2) A / 250 VAC
T85 °C
EN 61058

6 A / 125 VAC
T65 °C
UL 1054

3

8 (3) A / 250 VAC
T110 °C
EN 61058

6 A / 125 VAC
T65 °C
UL 1054

0

0

W



RFIT



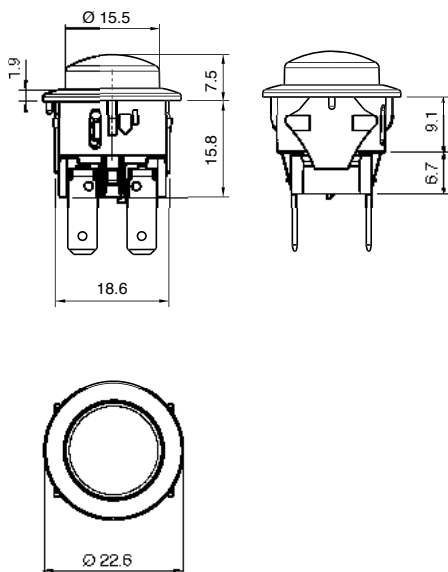
TYPICAL APPLICATIONS	Coffee machines, washing machine
FUNCTIONS	<ul style="list-style-type: none"> ■ SPST, momentary or not ■ DPST, momentary or not ■ DPST, illuminated or not
CYCLE No.	50.000
CUT OUT	ø 20 mm
AMBIENT TEMPERATURE	125 °C
GWT	850 °C
GWT NO FLAME (<2sec)	750 °C on demand

R F I T ?

DRAWING



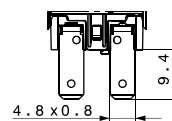
1

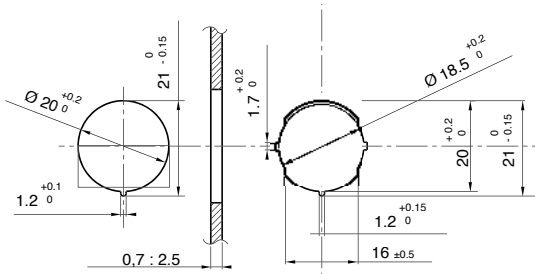


?

TERMINAL

2





DRAWING	TERMINAL	FUNCTION	RATING	BODY COLOUR	BUTTON COLOUR	0	0	0	0	0
R	F	I	T							

?

FUNCTION

- 1**
- 2**
- 4**
- 7**
- 8**

?

RATING

- C**

16 (6) A / 250 VAC
 12 (10) A / 250 VAC
 8 (8) A / 250 VAC - 5E4
 T125 / 55 °C
 EN 61058

16 A - 125 / 250 VAC
 1 / 2 HP - 125 VAC
 3 / 4 HP - 250 VAC
 T65 °C (T100 °C on demand)
 UL 1054

?

BODY COLOUR

- 1** black
- 2** white

?

BUTTON COLOUR

- N** black
- M** white

0 0 0 0 0

ILLUMINATED

- E** green
- F** blue
- G** red
- H** orange
- X** custom



- Headquarter
- Production Site
- Sales Network



Everel Group S.P.A.

[Headquarter - Production Site]
Via Cavour, 9
37067 Valeggio sul Mincio (VR) - Italy
tel. +39 045 6313711
fax +39 045 6313730

Dreefs GmbH

[Production Site]
Ernst-Dreefs-Straße 7
96364 Marktrodach - Germany
tel. +49 9261 9610
fax +49 9261 961248

Everel Romania S.r.l.

[Production Site]
Calea Timisorii 109
Lipova - Arad - Romania
tel. +40 257 563087
fax +40 257 563086

www.everelgroup.com

