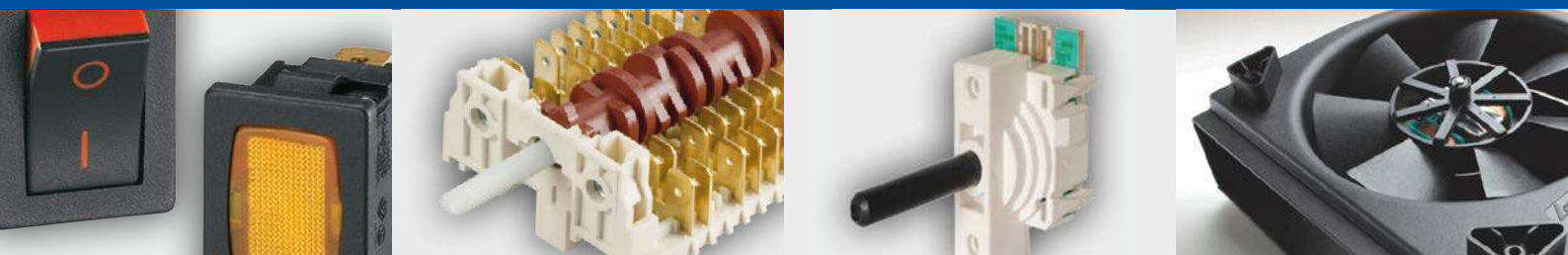


30 **CVEREL**

THE WORLD IN A CLICK



HAIRDRYER SWITCHES



Dreefs

 **SIGNAL LUX**

givem

M MOLVENO

 **KAUTT & BUX**

Hairdryer Switches

01



CO

112



CN

116



CP

120



CB

122



CK

124



CS

126



DC

128



SUB-ASSEMBLIES

130



CO

TYPICAL APPLICATIONS	Hairdryers
FUNCTIONS	■ SPDT (3 positions 0/1/1+2)
CYCLE No.	50.000
CUT OUT	See drawing
AMBIENT TEMPERATURE	85 °C
GWT	850 °C

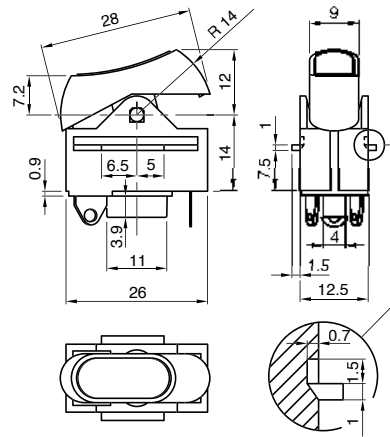


C O

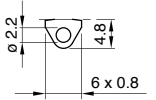
DRAWING

?

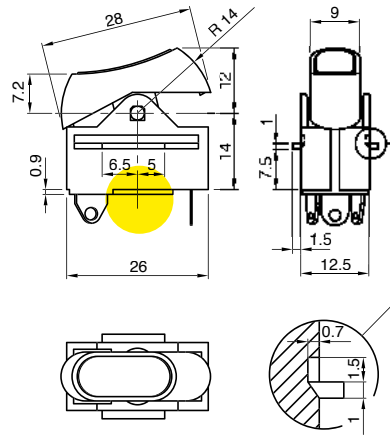
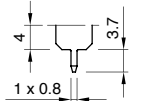
TERMINAL



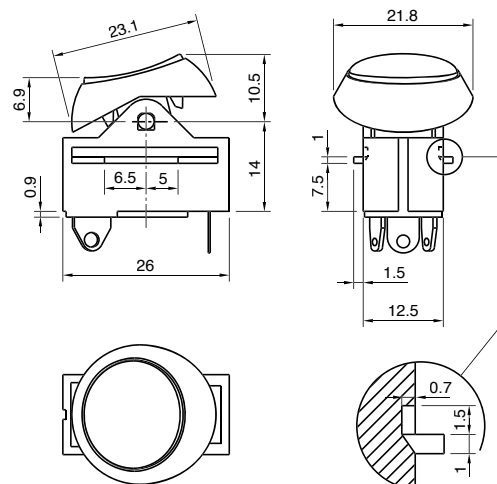
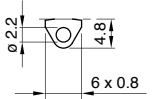
K



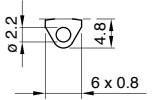
L

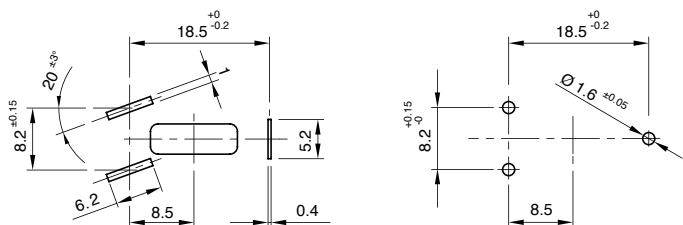


M



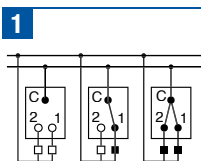
S





TERMINAL	FUNCTION	RATING	BODY COLOUR	ROCKER COLOUR	MARKING	MARKING COLOUR
C	0					
						0 0

?	?	?	?	?	?	?	0	0
FUNCTION	RATING	BODY COLOUR	ROCKER COLOUR	MARKING	MARKING COLOUR	MARKING COLOUR		



2

16 A / 250 VAC
 10 A / 250 VAC - 5E4
 T85 °C
 µ disconnection
 EN 61058

3

16 A / 250 VAC
 10 A / 250 VAC - 5E4
 T85 °C
 µ disconnection
 EN 61058

13 A / 125 VAC
 6.5 A / 250 VAC
 T65 °C
 UL 1054

1
 brown

- 1**
black
- 2**
white
- 5**
grey
- 9**
red
- X** ?
custom

- Terminal S
- 1**
black
 - X** ?
custom

- 0**
- A**
- B**
- C**
- D**
- E**
- F**
- X** ?
custom

- Terminal S
- 0**
 - X** ?
custom

- 0**
none
- 1**
black
- 2**
white
- 5**
grey
- 7**
light blue
- 8**
red
- X** ?
custom



CO

TYPICAL APPLICATIONS	Hairdryers
FUNCTIONS	■ SPDT (3 positions 0/1/1+2)
CYCLE No.	50.000
CUT OUT	See drawing
AMBIENT TEMPERATURE	85 °C
GWT	850 °C

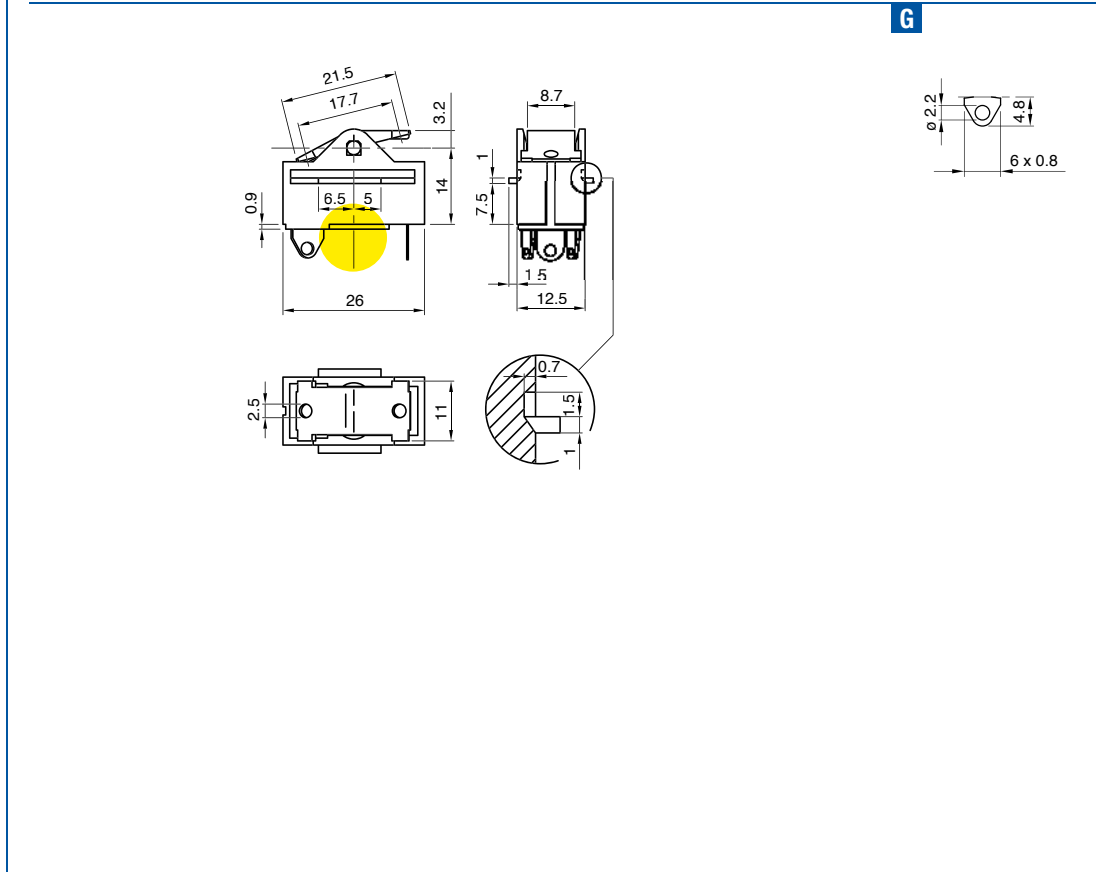
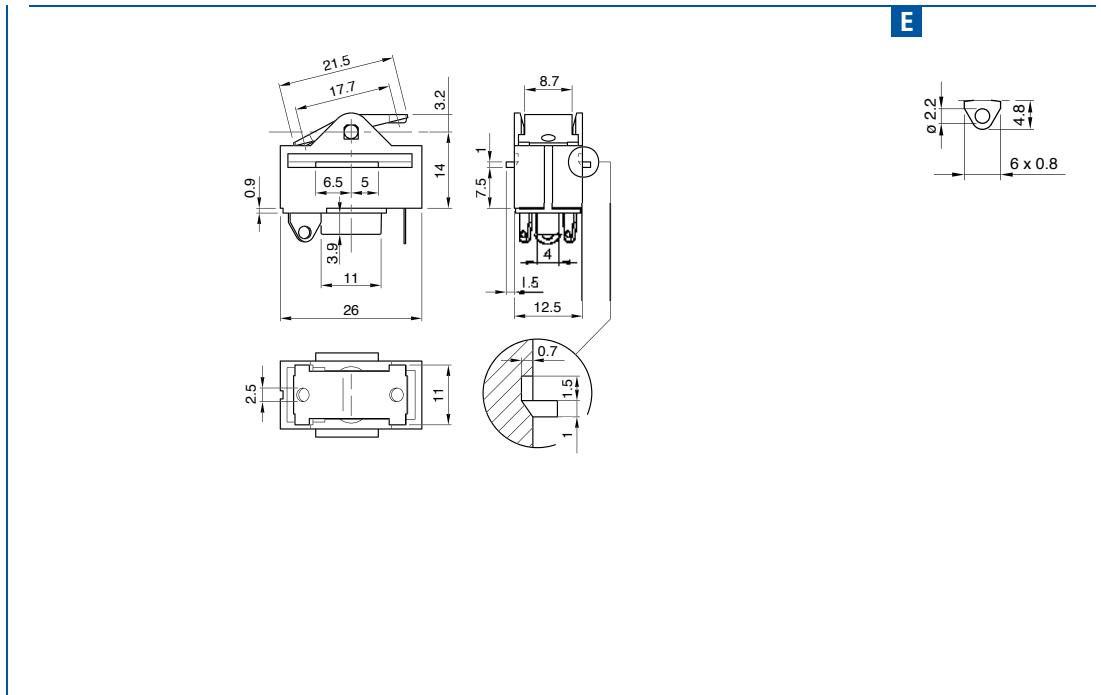


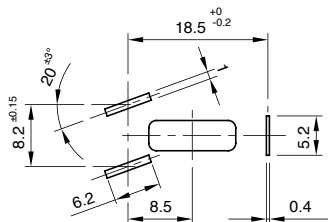
C O

DRAWING

?

TERMINAL



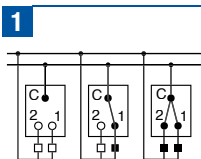


TERMINAL	FUNCTION	RATING	BODY COLOUR	ROCKER COLOUR
C	0			

?	?	?	?
---	---	---	---

0	0	0	0
---	---	---	---

FUNCTION **RATING** **BODY COLOUR** **ROCKER COLOUR**



2
 16 A / 250 VAC
 10 A / 250 VAC - 5E4
 T85 °C
 µ disconnection
 EN 61058

3
 16 A / 250 VAC
 10 A / 250 VAC - 5E4
 T85 °C
 µ disconnection
 EN 61058
 13 A / 125 VAC
 6.5 A / 250 VAC
 T65 °C
 UL 1054

1 ■
 brown

1 ■
 brown



CN

TYPICAL APPLICATIONS	Hairdryers
FUNCTIONS	■ SPDT (3 positions 0/1/1+2)
CYCLE No.	50.000
CUT OUT	See drawing
AMBIENT TEMPERATURE	85 °C
GWT	850 °C

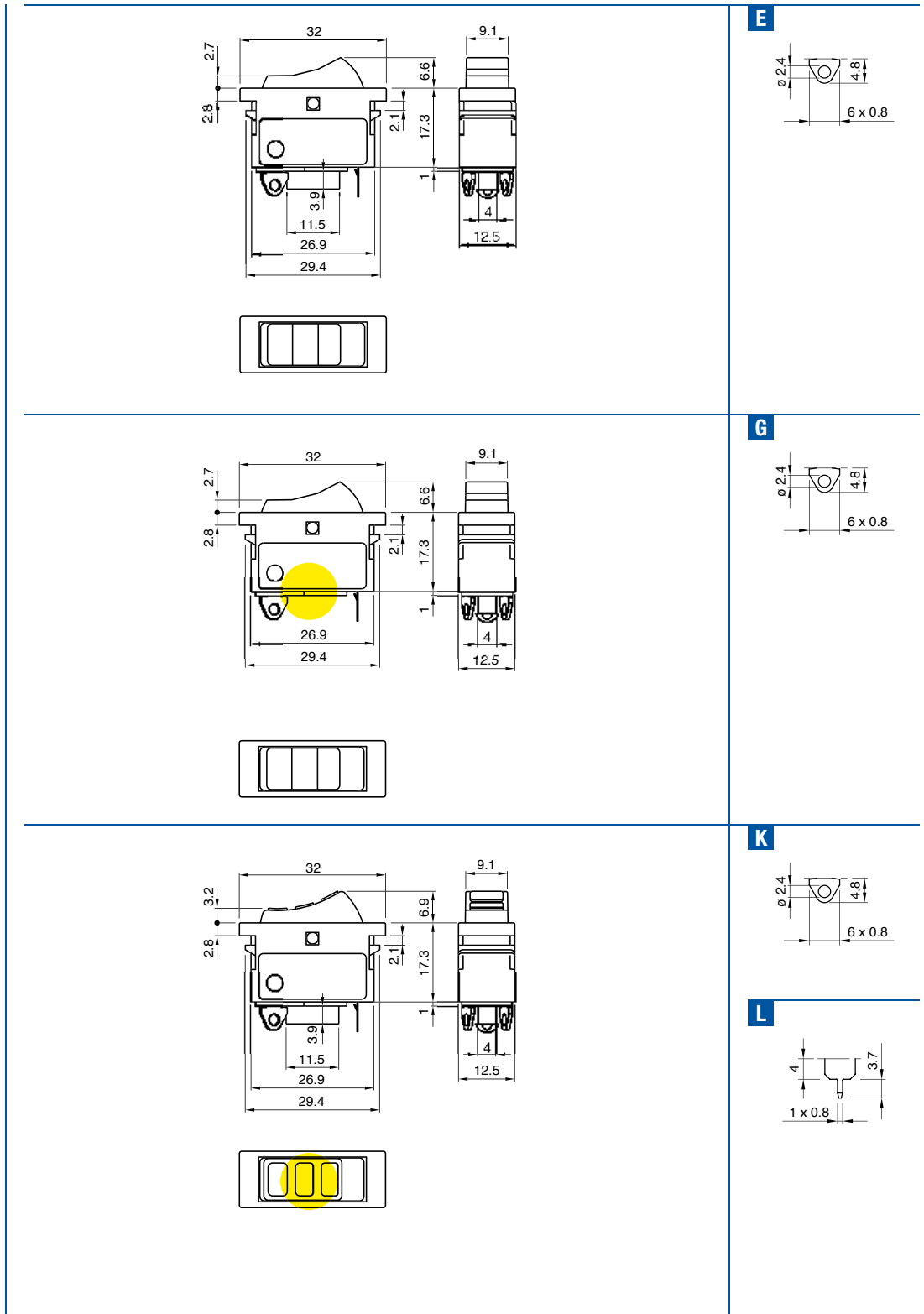


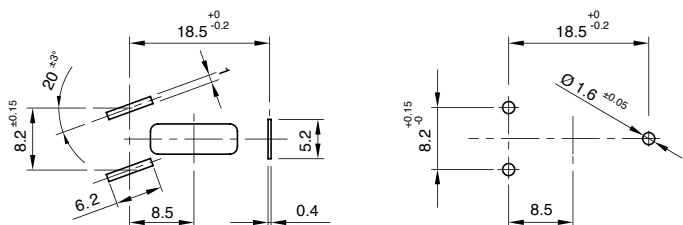
C N

DRAWING

?

TERMINAL

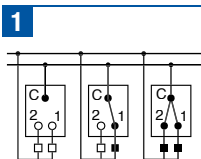




TERMINAL	FUNCTION	RATING	BODY COLOUR	ROCKER COLOUR	MARKING	MARKING COLOUR
C	N					
					0	0

?	?	?	?	?	?	?	0	0
---	---	---	---	---	---	---	---	---

FUNCTION RATING BODY COLOUR ROCKER COLOUR MARKING MARKING COLOUR



2
 16 A / 250 VAC
 10 A / 250 VAC - 5E4
 T85 °C
 µ disconnection
 EN 61058

3
 16 A / 250 VAC
 10 A / 250 VAC - 5E4
 T85 °C
 µ disconnection
 EN 61058
 13 A / 125 VAC
 6.5 A / 250 VAC
 T65 °C
 UL 1054

1
 black

X ?
 custom

1
 black

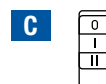
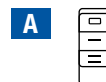
2
 white

9
 red

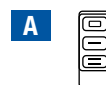
X ?
 custom

0 None

Terminal E - G



Terminal K - L



X ?
 custom

0 none

1
 black

2
 white

5
 grey

7
 light blue

8
 red

X ?
 custom



CN

TYPICAL APPLICATIONS	Hairdryers
FUNCTIONS	■ SPDT (3 positions 0/1/1+2)
CYCLE No.	50.000
CUT OUT	See drawing
AMBIENT TEMPERATURE	85 °C
GWT	850 °C

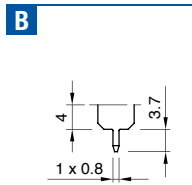
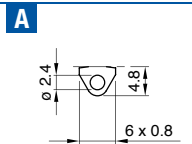
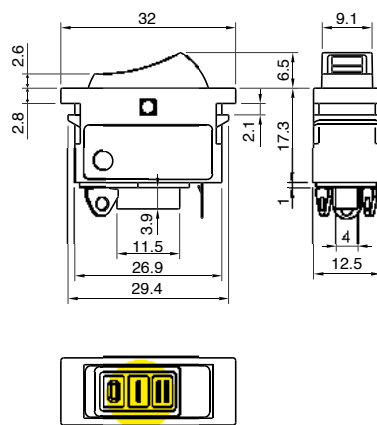
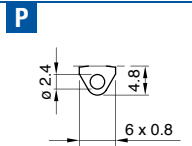
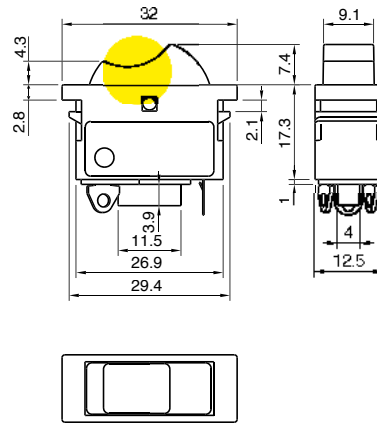


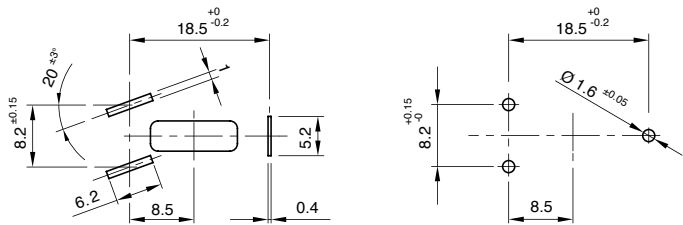
C **N**

DRAWING

?

TERMINAL

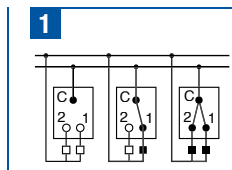




TERMINAL	FUNCTION	RATING	BODY COLOUR	ROCKER COLOUR	MARKING	MARKING COLOUR
C	N					

?	?	?	?	?	?	?	0	0
---	---	---	---	---	---	---	---	---

FUNCTION RATING BODY COLOUR ROCKER COLOUR MARKING MARKING COLOUR



2

16 A / 250 VAC
 10 A / 250 VAC - 5E4
 T85 °C
 µ disconnection
 EN 61058

3

16 A / 250 VAC
 10 A / 250 VAC - 5E4
 T85 °C
 µ disconnection
 EN 61058

13 A / 125 VAC
 6.5 A / 250 VAC
 T65 °C
 UL 1054

- 1** black
- X** ? custom

- 1** black
- 2** white
- 9** red
- X** ? custom

- Terminal P**
- 0**
 - C**
 - D**
 - X** ?

- 0** none
- 1** black
- 2** white
- 5** grey
- 7** light blue
- 8** red
- X** ? custom

- Terminal A - B**
- 0**

- Terminal A - B**
- 0** none

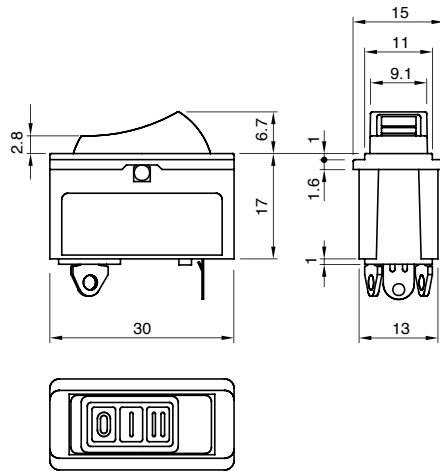


CP

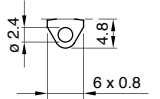
TYPICAL APPLICATIONS	Hairdryers
FUNCTIONS	■ SPDT (3 positions 0/1/1+2)
CYCLE No.	50.000
CUT OUT	See drawing
AMBIENT TEMPERATURE	85 °C
GWT	850 °C

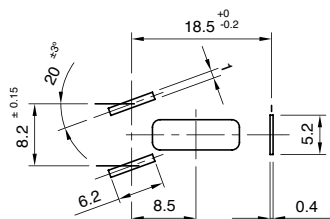


TERMINAL



C

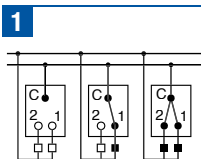




TERMINAL	FUNCTION	RATING	BODY COLOUR	ROCKER COLOUR				
C	P				0	0	0	0

?	?	?	?	0	0	0	0
---	---	---	---	---	---	---	---

FUNCTION **RATING** **BODY COLOUR** **ROCKER COLOUR**



2
 16 A / 250 VAC
 10 A / 250 VAC - 5E4
 T85 °C
 µ disconnection
 EN 61058

3
 16 A / 250 VAC
 10 A / 250 VAC - 5E4
 T85 °C
 µ disconnection
 EN 61058
 13 A / 125 VAC
 6.5 A / 250 VAC
 T65 °C
 UL 1054

1 black

2 white

X custom

1 black

2 white

9 red

X custom



CB

TYPICAL APPLICATIONS	Hairdryers
FUNCTIONS	■ 2x SPST (3 positions 0-0/0-1/1-1)
CYCLE No.	50.000
CUT OUT	See drawing
AMBIENT TEMPERATURE	85 °C
GWT	850 °C

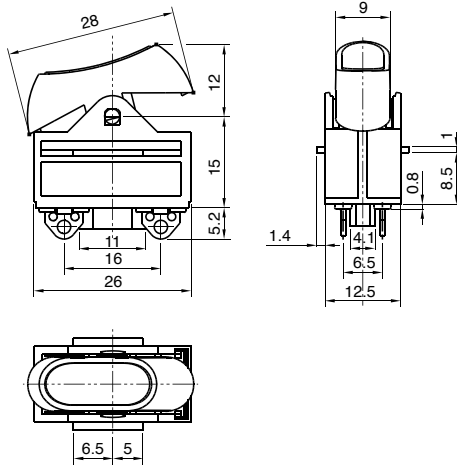


C B

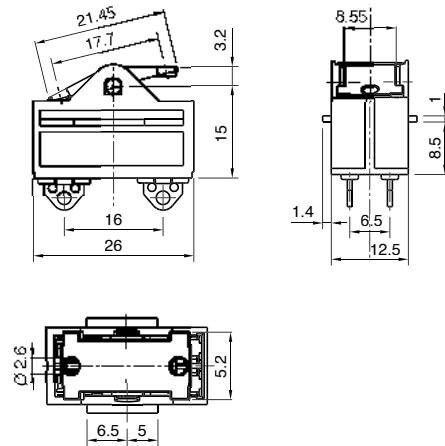
DRAWING

?

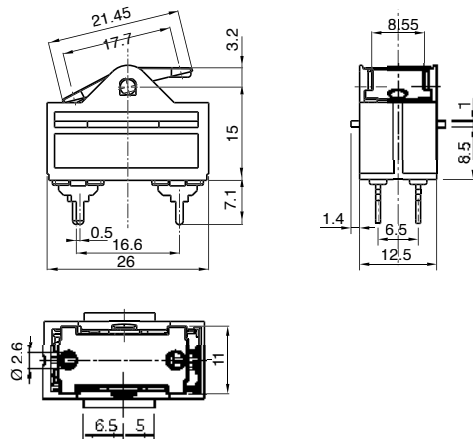
TERMINAL



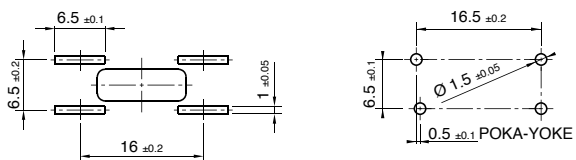
K



G



H



TERMINAL	FUNCTION	RATING	BODY COLOUR	ROCKER COLOUR	MARKING	MARKING COLOUR
C	B					
					0	0

?	?	?	?	?	?	?	0	0
FUNCTION	RATING	BODY COLOUR	ROCKER COLOUR	MARKING	MARKING COLOUR			

1

2

16 A / 250 VAC
 10 A / 250 VAC - 5E4
 T85 °C
 µ disconnection
 EN 61058

16 A / 125 VAC
 T105 °C
 UL 1054

1

brown

Terminal K

0 none

1 black

5 grey

9 red

X **?** custom

Terminal G - H

1 brown

Terminal K

0

A

D

E

X

Terminal G - H

0 None

Terminal K

0 none

1 black

2 white

7 light blue

8 red

X **?** custom

Terminal G - H

0 None



CK

TYPICAL APPLICATIONS	Hairdryers
FUNCTIONS	■ 2x SPST (3 positions 0-0/0-1/1-1)
CYCLE No.	50.000
CUT OUT	See drawing
AMBIENT TEMPERATURE	85 °C
GWT	850 °C



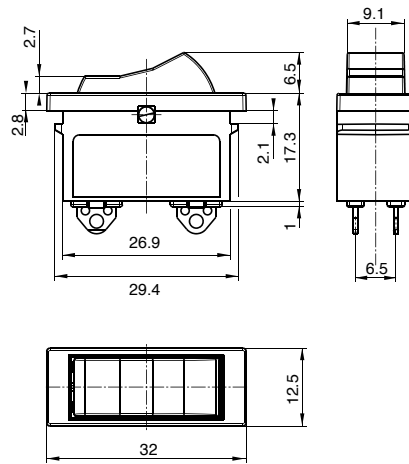
C

K

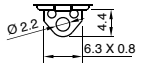
DRAWING

?

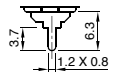
TERMINAL

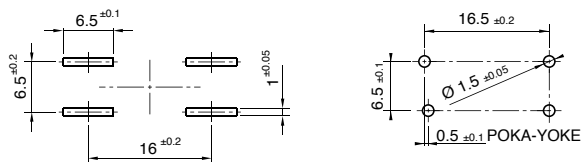


G



H

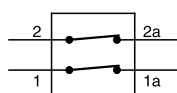
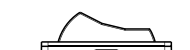
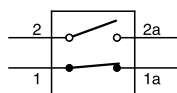
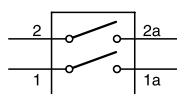




C	K	TERMINAL	FUNCTION	RATING	BODY COLOUR	BUTTON COLOUR	MARKING	MARKING COLOUR	0	0

?	?	?	?	?	?	?	0	0
---	---	---	---	---	---	---	---	---

FUNCTION **RATING** **BODY COLOUR** **ROCKER COLOUR** **MARKING** **MARKING COLOUR**



2

16 A / 250 VAC
 10 A / 250 VAC - 5E4
 T85/55 °C
 µ disconnection
 EN 61058

16 A / 125 VAC
 T65 °C
 UL 1054

1 ■
 black

1 ■
 black

9 ■
 red

0

A

B

X

0
 none

2 □
 white

X ?
 custom



CS

TYPICAL APPLICATIONS	Hairdryers
FUNCTIONS	■ 2x SPST (3 positions 0-0/0-1/1-1)
CYCLE No.	50.000
CUT OUT	See drawing
AMBIENT TEMPERATURE	85 °C
GWT	850 °C



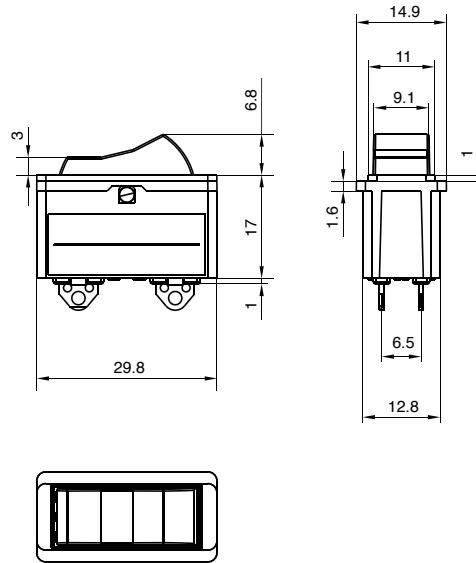
C

S

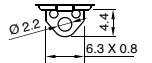
DRAWING

?

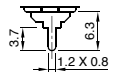
TERMINAL

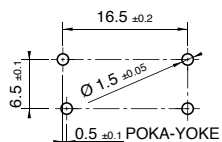
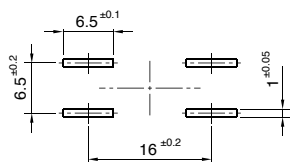


G



H





C	S	TERMINAL	FUNCTION	RATING	BODY COLOUR	BUTTON COLOUR	MARKING	MARKING COLOUR	0	0

?	?	?	?	?	?	?	0	0
FUNCTION	RATING	BODY COLOUR	ROCKER COLOUR	MARKING	MARKING COLOUR			

1

2

16 A / 250 VAC
 10 A / 250 VAC - 5E4
 T85/55 °C
 µ disconnection
 EN 61058

16 A / 125 VAC
 T65 °C
 UL 1054

1 ■
 black

1 ■
 black

0

A

B

X

0
 none

2
 white

X
 custom

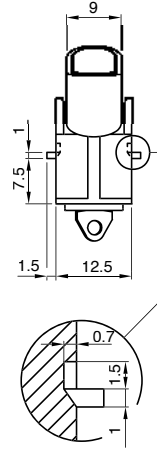
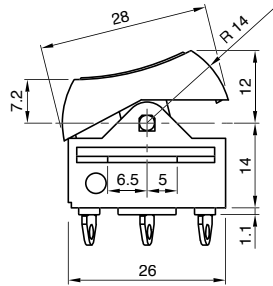


DC

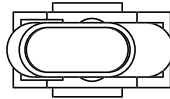
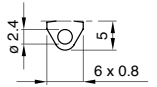
TYPICAL APPLICATIONS	Hairdryers
FUNCTIONS	■ SPST, momentary or not
CYCLE No.	50.000
CUT OUT	-
AMBIENT TEMPERATURE	125 °C
GWT	850 °C



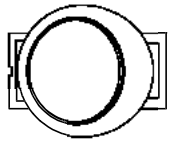
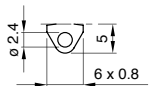
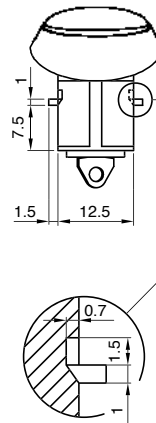
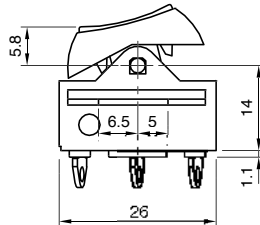
TERMINAL



S



U



TERMINAL	FUNCTION	RATING	BODY COLOUR	ROCKER COLOUR	MARKING COLOUR	MARKING
D	C					
						0 0 0 0

FUNCTION	RATING	BODY COLOUR	ROCKER COLOUR	MARKING COLOUR	MARKING
?	?	?	?	?	? 0 0 0 0

1

4

A

C

16 A - 6 (6) A / 250 VAC
 10 A - 4 (4) A / 250 VAC - 5E4
 T125 °C
 EN 61058

16 A / 125 VAC
 8 A / 250 VAC
 T65 °C
 UL 1054
 CSA C22.2

1

black

1

black

2

white

9

red

B

blue

X

custom

0

none

1

black

2

white

X

custom

Terminal S

0

C

R

X

Terminal U

0

A

X

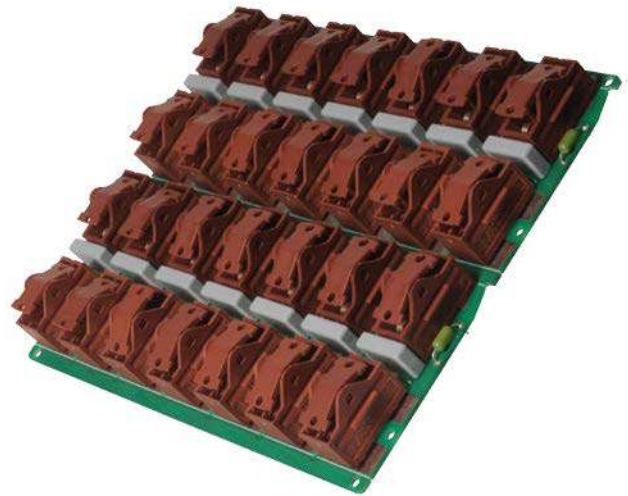
SUB-ASSEMBLIES

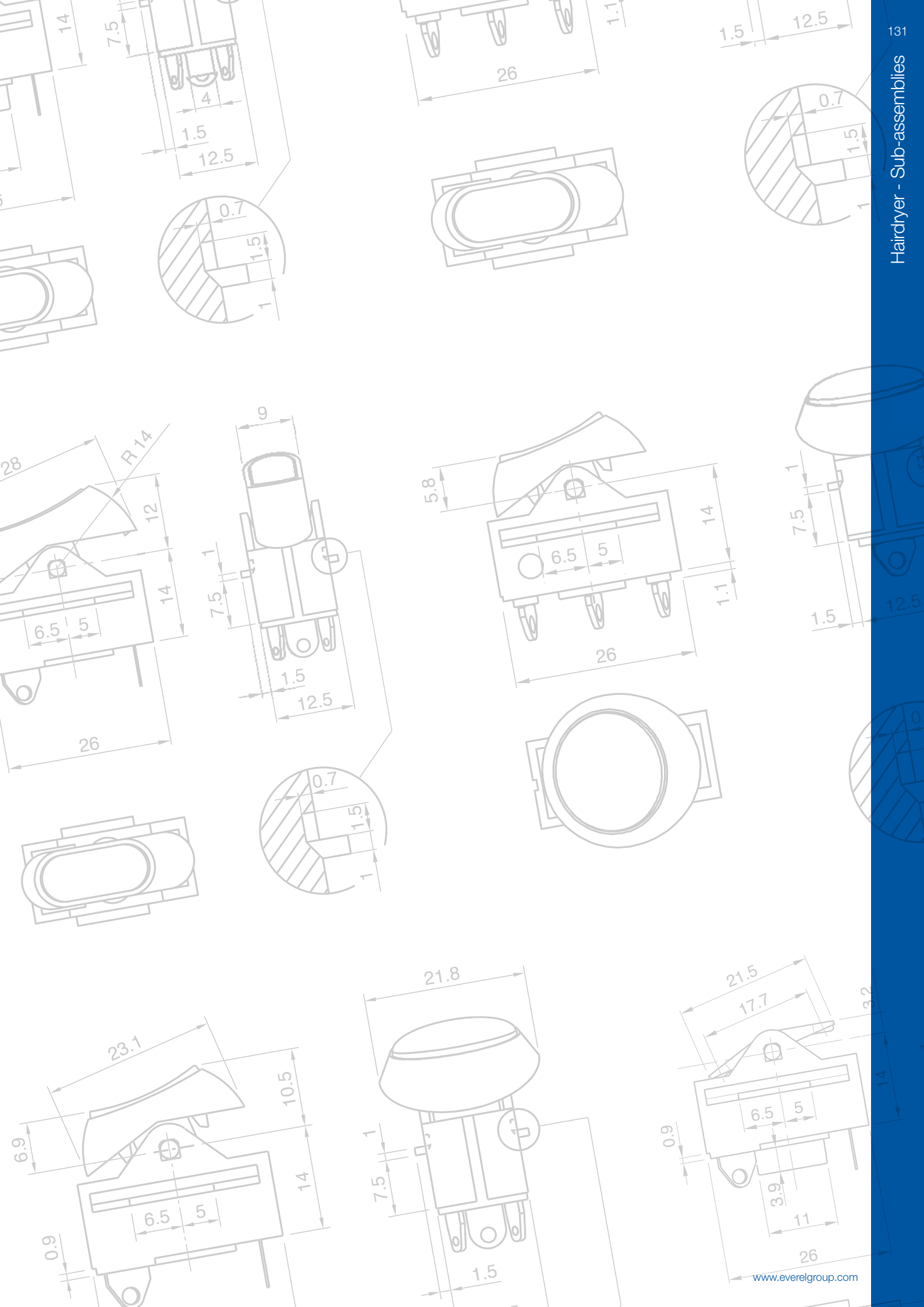
In order to increase the collaboration with its own customers to create added value solutions, Everel has developed internal competencies and technologies to design and to manufacture control boards.

This type of activity has been particularly effective in combination with electromechanical components design and production, field in which Everel is a recognized leader; it has found very appreciated applications in control boards of hairdryers.

In close partnership with its own customers, Everel has developed many products. The R&D staff is available to design the perfect solutions according with Customer requests.

Below you could find some example of Everel sub-assemblies:







- Headquarter
- Production Site
- Sales Network



Everel Group S.P.A.

[Headquarter - Production Site]
Via Cavour, 9
37067 Valeggio sul Mincio (VR) - Italy
tel. +39 045 6313711
fax +39 045 6313730

Dreefs GmbH

[Production Site]
Ernst-Dreefs-Straße 7
96364 Marktrodach - Germany
tel. +49 9261 9610
fax +49 9261 961248

Everel Romania S.r.l.

[Production Site]
Calea Timisorii 109
Lipova - Arad - Romania
tel. +40 257 563087
fax +40 257 563086

www.everelgroup.com

