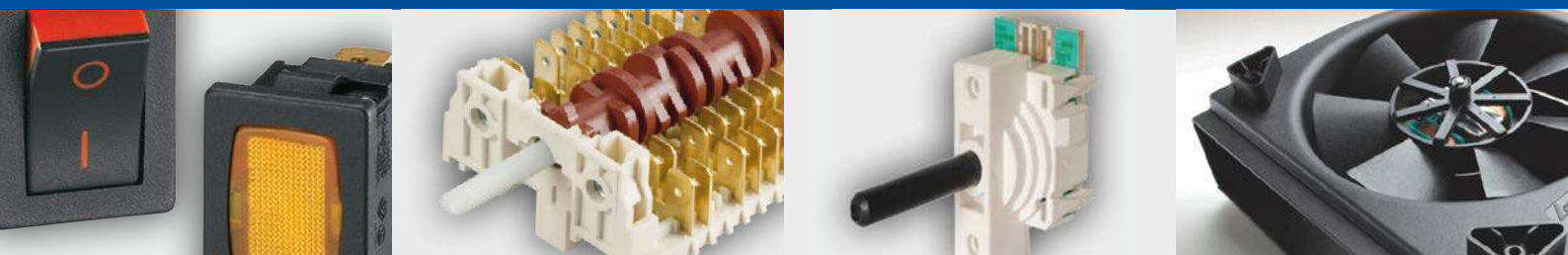


# 30 CVEREL

THE WORLD IN A CLICK



## MOTORS



**Dreefs**

 **SIGNAL LUX**

**givem**

**M MOLVENO**

 **KAUTT & BUX**

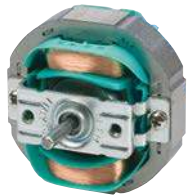
# Motors

05



**Shaded Pole  
Motor Ø 52**

206



**Shaded Pole  
Motor Ø 58**

208



**Fans  
and Accessories**

210



**EC Brushless Motor**

212

---

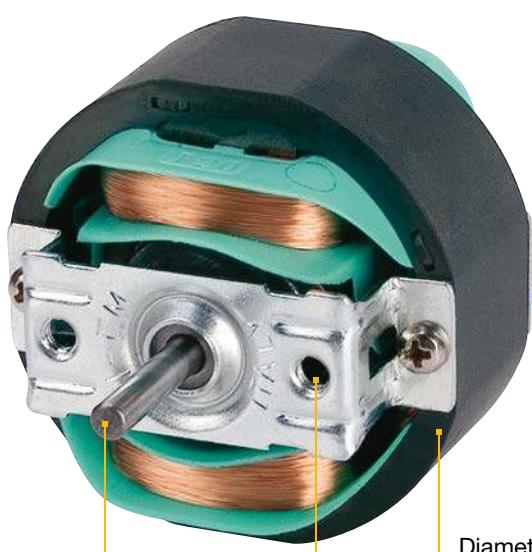


# SHADED POLE MOTOR Ø 52

FEATURES
Motor life: from 3.000 hours (sinterized sleeve bearings) to 30.000 hours (ball bearings)
Heat and fire resistance version available GWIT 775 °C
2-speed version available
Class of insulation according to IEC 60085: F or H
Power supply: from 12 VAC to 240 VAC / 1 / 50-60 Hz



Ideal for reduced space, they are available in a wide range of versions and they are featuring high electromagnetic efficiency. This allows Giem to meet several application requirements: ventilators, fan heaters, air cleaners, and humidifiers



Shaft diameter 4 mm;  
clock-wise and counter clock-wise

Fixing holes threaded M4

Diameter: 52 mm

## OPTIONS



Shaft can be smooth, milled or with grooves with length on demand



Brass bearings or ball bearings



Stack height from 16 to 30 mm



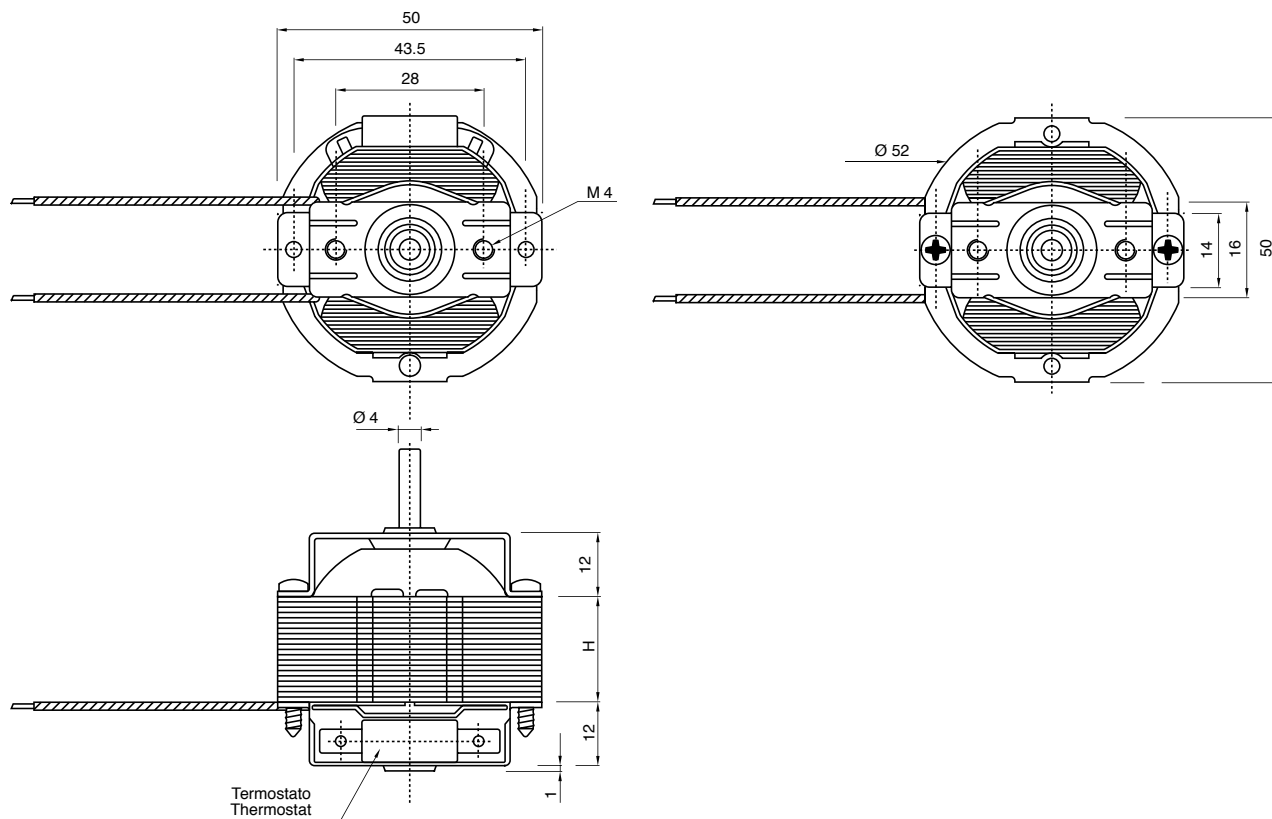
Fuse



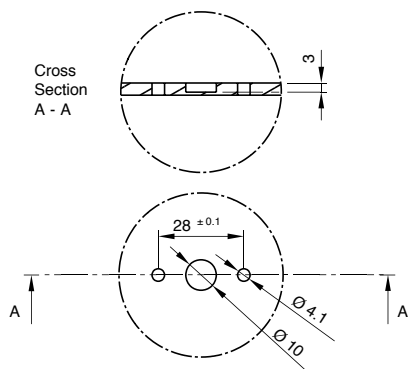
Thermostat

Motors protected by motor impedance or thermal protected by fuse or thermostat (autoreset or self holding)

## DIMENSIONS

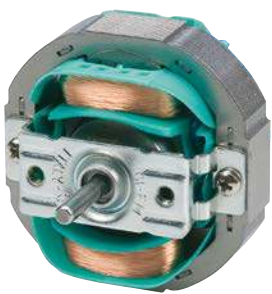


## CUT OUT



## TECHNICAL FEATURES

Stack height (H) mm	Power absorption W		
	Low consumption version	Normal version	Powered version
16	8	15	25
20	10	20	25
25	15	20	30
30	20	30	40

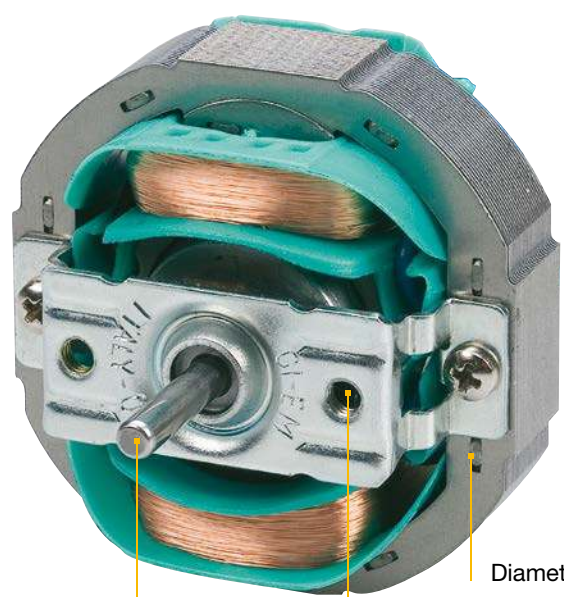


# SHADED POLE MOTOR Ø 58

FEATURES
Motor life: from 3.000 hours (sinterized sleeve bearings) to 30.000 hours (ball bearings)
Heat and fire resistance version available GWIT 775 °C
2-speed version available
Class of insulation according to IEC 60085: F or H
Power supply: from 12 VAC to 240 VAC / 1 / 50-60 Hz



on demand



Shaft diameter 4 mm;  
clock-wise and counter clock-wise

Diameter: 58 mm  
Fixing holes threaded M4

### OPTIONS



Shaft can be smooth, milled or with grooves with length on demand



Brass bearings or ball bearings



Stack height from 12 to 35 mm



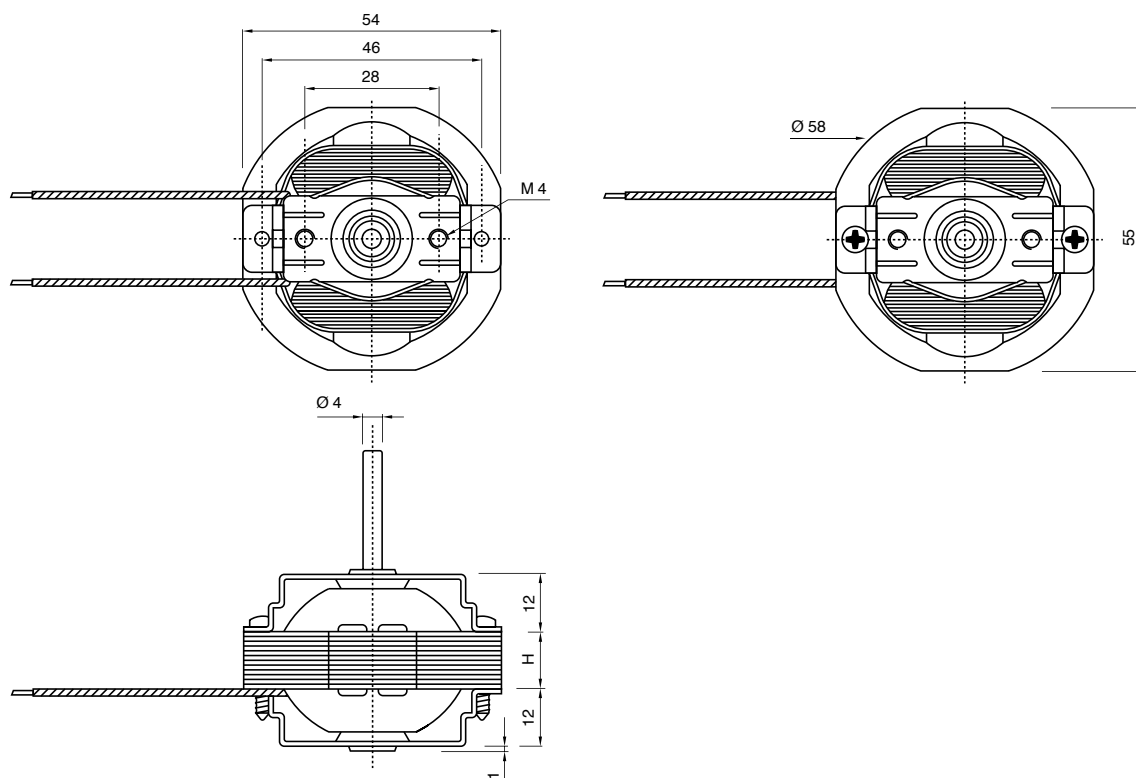
Fuse



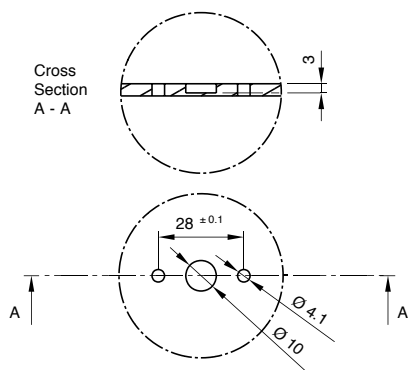
Thermostat

Motors protected by motor impedance or thermal protected by fuse or thermostat (autoreset or self holding)

## DIMENSIONS



## CUT OUT



## TECHNICAL FEATURES

Stack height (H) mm	Power absorption W		
	Low consumption version	Normal version	Powered version
12	8	15	25
16	10	20	30
20	15	25	30
25	15	25	35
30	20	30	40
35	20	35	50



# FANS AND ACCESSORIES

AVAILABLE FOR SHADED POLE MOTORS Ø 52 AND Ø 58

## FEATURES

Wide offer of fans, with different colours, materials and dimensions for motors Ø 58 and Ø 52

Forcing and suction version

Nylon or aluminum

Snap-in mounting without tools on Ø 4 mm shaft

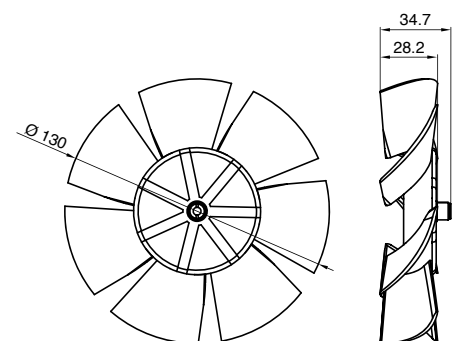


## PLASTIC 7-BLADES FAN

Material: Nylon  
Colour: Black  
Diameter: 130 mm

Code

**GM1VN01A00**

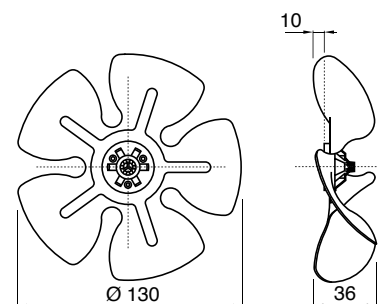


## METAL 5-BLADES FAN

Material: Aluminum  
Colour: Glossy  
Diameter: 130 mm

Code

**GMVKW52002**





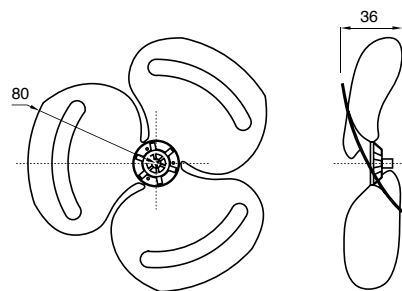


## METAL 3-BLADES FAN

Material: Iron sheet  
 Colour: Black  
 Diameter: 156 mm

Code

**GMVTR51004**

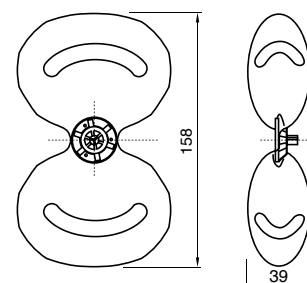


## METAL 2-BLADES FAN

Material: Plastic, aluminum  
 Colour: Black  
 Diameter: 158 mm

Code

**GMVCD51001**



## CENTRIFUGAL PLASTIC FAN

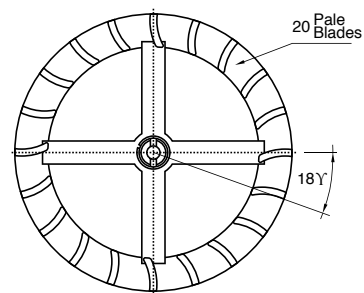
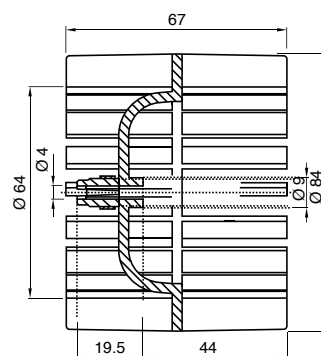
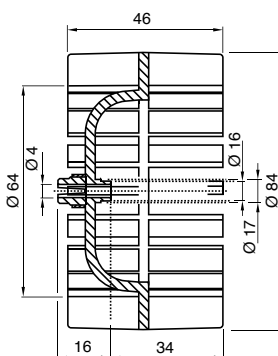
Material: Nylon  
 Colour: Black  
 Diameter: 84 mm  
 Height: 46 mm / 67 mm

Code (h. 46)

**GMVDD00010**

Code (h. 67)

**GMVXX03020**



# EC BRUSHLESS MOTOR



**EXTREMELY SILENT  
LOW ENERGY CONSUMPTION  
HIGH PERFORMANCE**

Example for Performance EC motor stack height 12 mm.

<b>RATED VOLTAGE</b>	230 VAC (-15%; +10%)
<b>INSULATION CLASS</b>	F
<b>RATED MECHANICAL POWER</b>	1,2 W
<b>RATED ELECTRIC POWER</b>	6,7 W
<b>MOTOR EFFICIENCY</b>	18%
<b>WITHSTAND VOLTAGE</b>	1800 V
<b>TORQUE DIRECTION</b>	CW
<b>NUMBER OF POLES</b>	2
<b>DRIVE</b>	Half bridge
<b>MAX SPEED</b>	3.000 rpm
<b>PROTECTION</b>	Thermostat 100 °C
<b>OPERATING TEMPERATURE</b>	-5 °C / +40 °C
<b>NOTE</b>	Shaft lenght: on request Wires color: on request

Everel has released the Performance and Performance Plus EC brushless motors series.

The Performance Plus version, which integrates more advanced electronics, allows the control of motor speed and the possibility of reversing the rotation; humidity sensor, presence sensor, and timer can be integrated in the same board; motor efficiency up to 40%.

- Energy saving: up to 70% compared to traditional motor
- Integrated electronic
- Power supply from 12 VAC to 240 VAC / 1 / 50-60. Also available 12 VDC
- Same dimensions and cut-out of standard motors (diameter 58 mm)
- Performance Plus version: humidity sensor, presence sensor, timer, lighting mgmt, firmware customization
- Ball bearings



## OPTIONALS



Shaft can be smooth, milled or with grooves with length on demand



Stack height from 12 to 35 mm

### Fuse



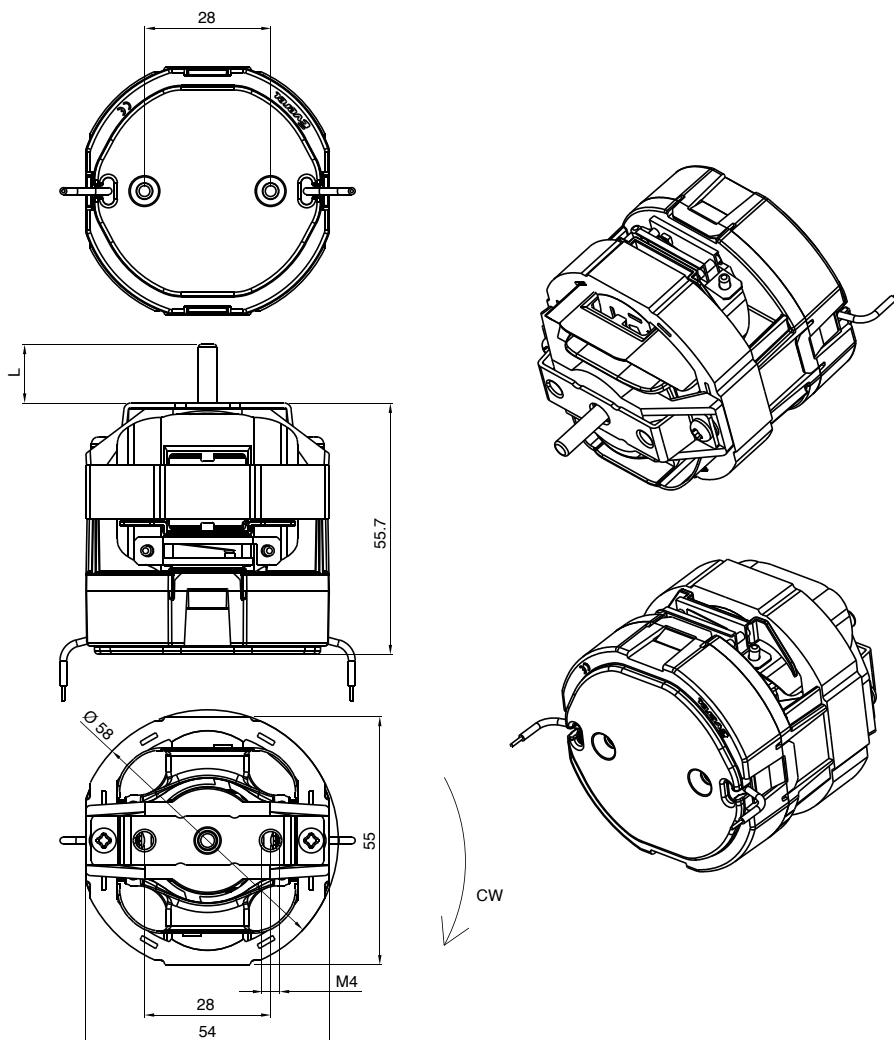
Motors protected by thermal fuse or thermostat (autoreset or self holding)

### Thermostat



**DRAWING**

(Performance version)



Different covers available

**TECHNICAL FEATURES**

**PERFORMANCE**



Integrated electronic and power supply board

Installation from electronic side available

**PERFORMANCE PLUS**



Timer management

Humidity sensor connector  
Speed control  
Presence sensor connection

**SELV version 12 V available**

SELV: Safety Extra Low Voltage

Stack height (H) mm	Power absorption W	Shaft Power W
12	4,5 ... 15	0,8 ... 2,7
16	6,5 ... 20	1,2 ... 3,6
20	7,5 ... 25	1,4 ... 4,5
25	8,5 ... 30	1,6 ... 5,4
30	9,5 ... 40	1,7 ... 7,2
35	10,5 ... 50	1,9 ... 9

Stack height (H) mm	Power absorption W	Shaft Power W Plus
12	4 ... 15	1,4 ... 5,3
16	5 ... 20	1,8 ... 7
20	6 ... 25	2,1 ... 8,8
25	7 ... 30	2,5 ... 10,5
30	8 ... 40	2,8 ... 14
35	9 ... 50	3,2 ... 17,5



- Headquarter
- Production Site
- Sales Network



**Everel Group S.P.A.**

[Headquarter - Production Site]

Via Cavour, 9

37067 Valeggio sul Mincio (VR) - Italy

tel. +39 045 6313711

fax +39 045 6313730

**Dreefs GmbH**

[Production Site]

Ernst-Dreefs-Straße 7

96364 Marktrodach - Germany

tel. +49 9261 9610

fax +49 9261 961248

**Everel Romania S.r.l.**

[Production Site]

Calea Timisorii 109

Lipova - Arad - Romania

tel. +40 257 563087

fax +40 257 563086

[www.everelgroup.com](http://www.everelgroup.com)

