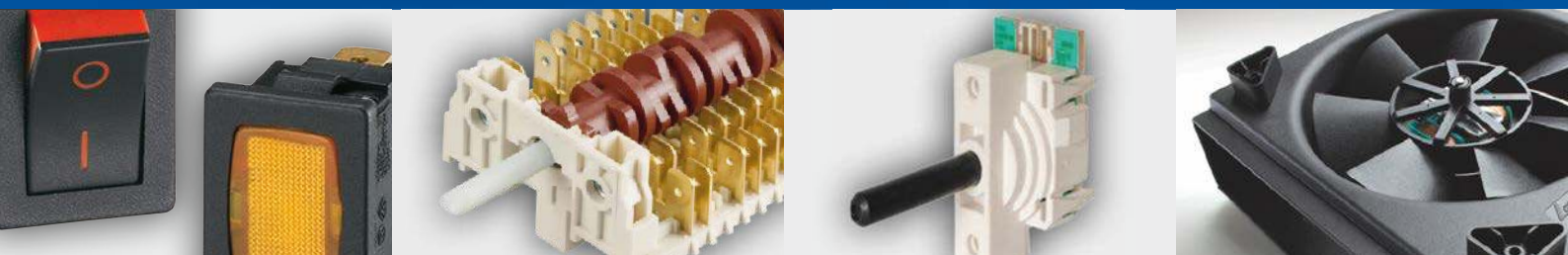


30 CVEREL

THE WORLD IN A CLICK



MOTORS



Dreefs

 **SIGNAL LUX**

givem

M MOLVENO

 **KAUTT & BUX**

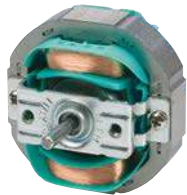
Motors

05



**Shaded Pole
Motor Ø 52**

206



**Shaded Pole
Motor Ø 58**

208



**Fans
and Accessories**

210



EC Brushless Motor

212

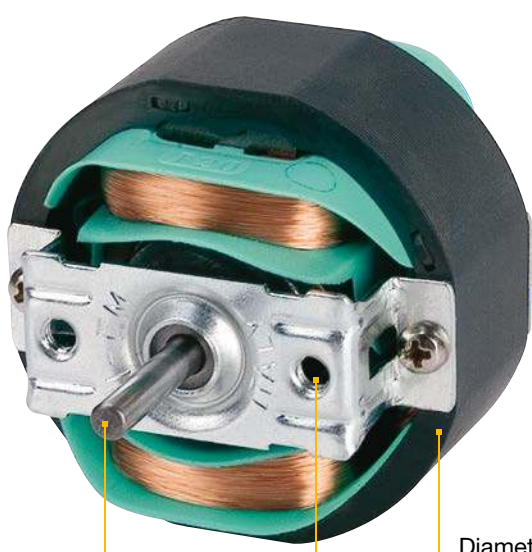


SHADED POLE MOTOR Ø 52

FEATURES
Motor life: from 3.000 hours (sinterized sleeve bearings) to 30.000 hours (ball bearings)
Heat and fire resistance version available GWIT 775 °C
2-speed version available
Class of insulation according to IEC 60085: F or H
Power supply: from 12 VAC to 240 VAC / 1 / 50-60 Hz



Ideal for reduced space, they are available in a wide range of versions and they are featuring high electromagnetic efficiency. This allows Giem to meet several application requirements: ventilators, fan heaters, air cleaners, and humidifiers



Shaft diameter 4 mm;
clock-wise and counter clock-wise

Fixing holes threaded M4

Diameter: 52 mm

OPTIONS



Shaft can be smooth, milled or with grooves with length on demand



Brass bearings or ball bearings



Stack height from 16 to 30 mm



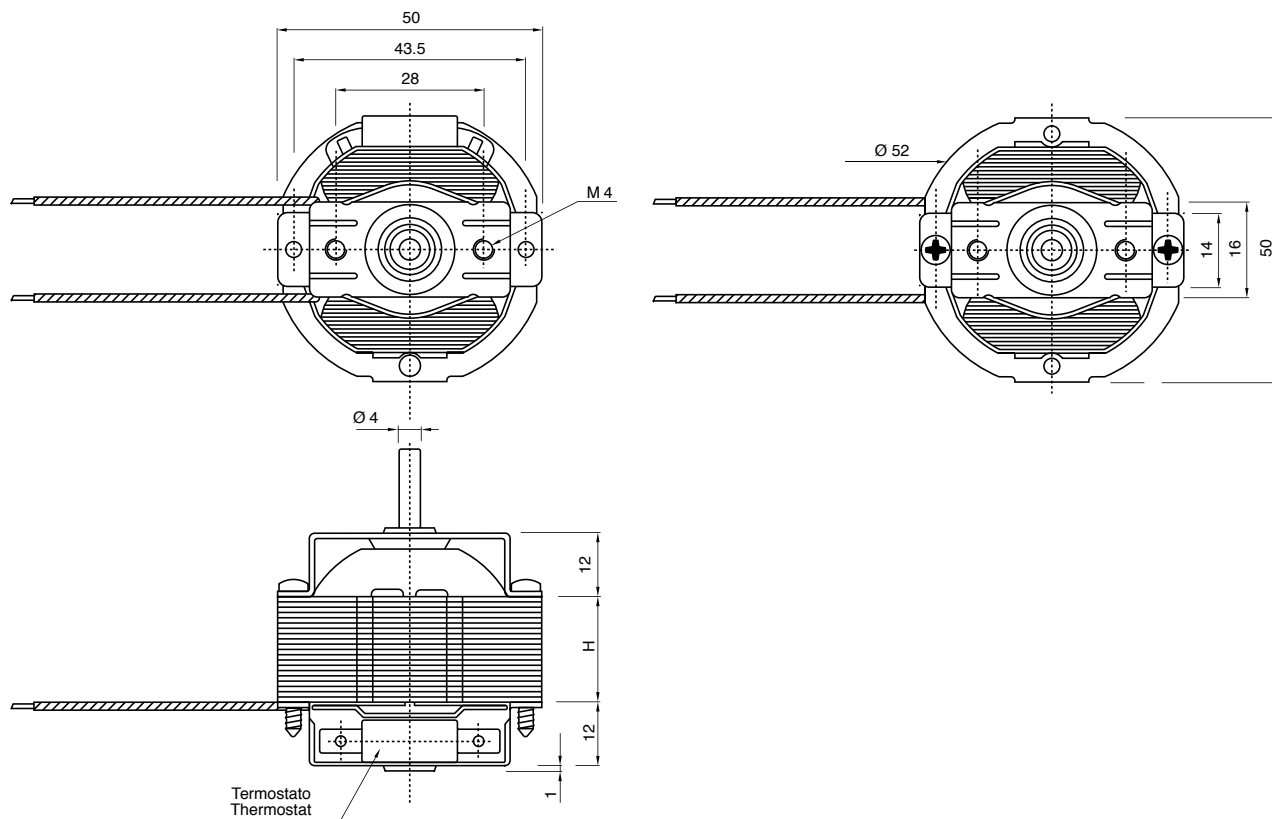
Fuse



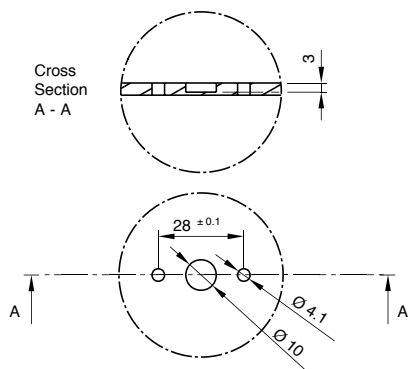
Thermostat

Motors protected by motor impedance or thermal protected by fuse or thermostat (autoreset or self holding)

DIMENSIONS



CUT OUT



TECHNICAL FEATURES

Stack height (H) mm	Power absorption W		
	Low consumption version	Normal version	Powered version
16	8	15	25
20	10	20	25
25	15	20	30
30	20	30	40

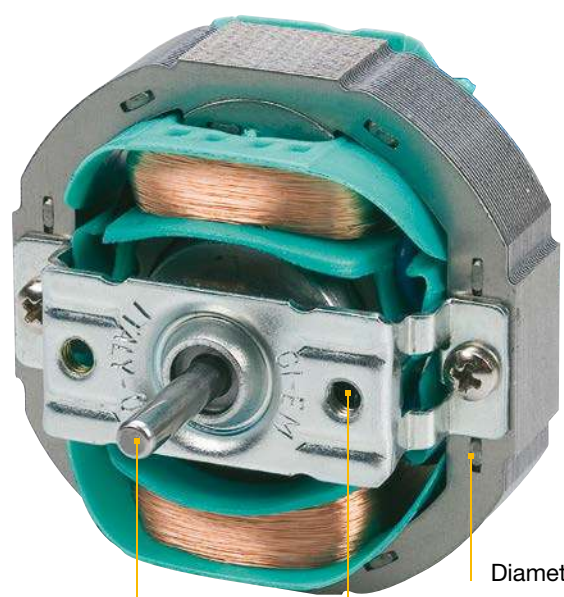


SHADED POLE MOTOR Ø 58

FEATURES
Motor life: from 3.000 hours (sinterized sleeve bearings) to 30.000 hours (ball bearings)
Heat and fire resistance version available GWIT 775 °C
2-speed version available
Class of insulation according to IEC 60085: F or H
Power supply: from 12 VAC to 240 VAC / 1 / 50-60 Hz



on demand



Shaft diameter 4 mm;
clock-wise and counter clock-wise

Diameter: 58 mm
Fixing holes threaded M4

OPTIONS



Shaft can be smooth, milled or with grooves with length on demand



Brass bearings or ball bearings



Stack height from 12 to 35 mm



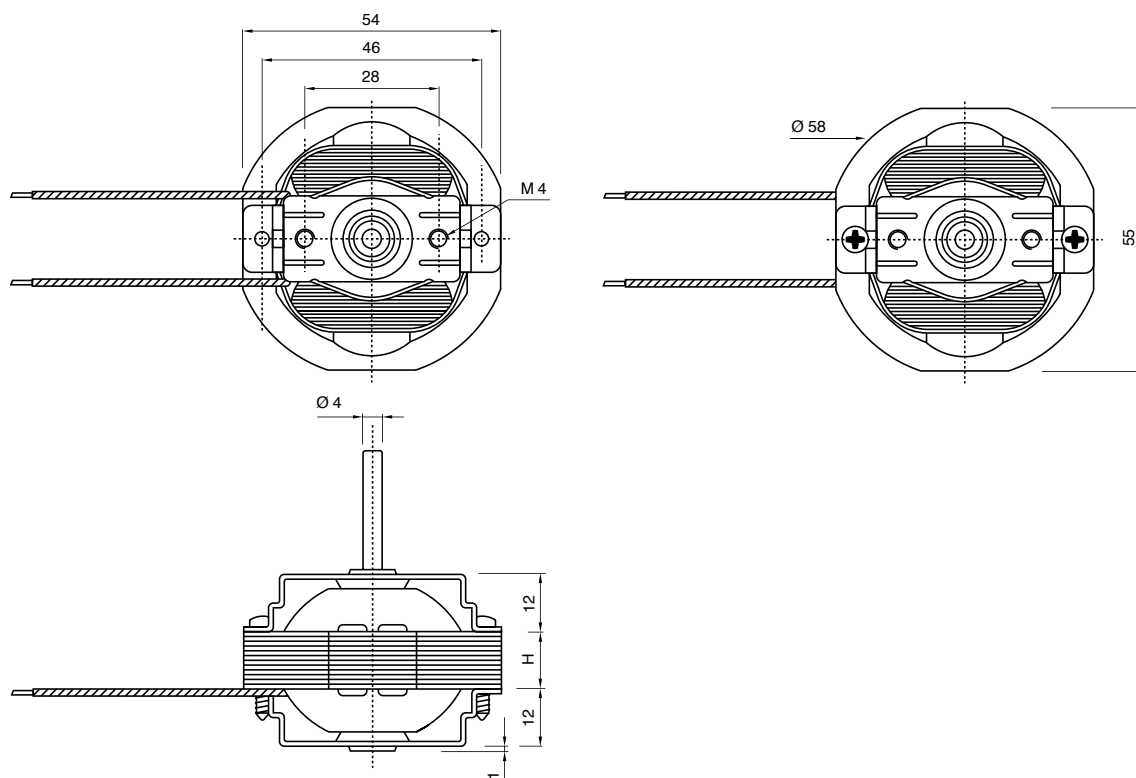
Fuse



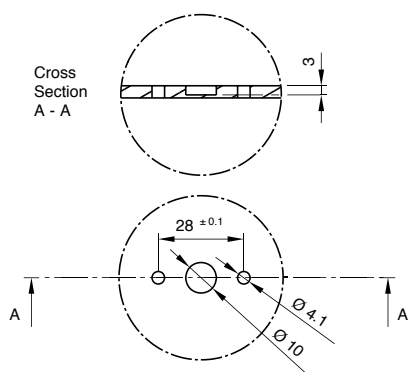
Thermostat

Motors protected by motor impedance or thermal protected by fuse or thermostat (autoreset or self holding)

DIMENSIONS



CUT OUT



TECHNICAL FEATURES

Stack height (H) mm	Power absorption W		
	Low consumption version	Normal version	Powered version
12	8	15	25
16	10	20	30
20	15	25	30
25	15	25	35
30	20	30	40
35	20	35	50

FANS AND ACCESSORIES

AVAILABLE FOR SHADED POLE MOTORS Ø 52 AND Ø 58

FEATURES

Wide offer of fans, with different colours, materials and dimensions for motors Ø 58 and Ø 52

Forcing and suction version

Nylon or aluminum

Snap-in mounting without tools on Ø 4 mm shaft

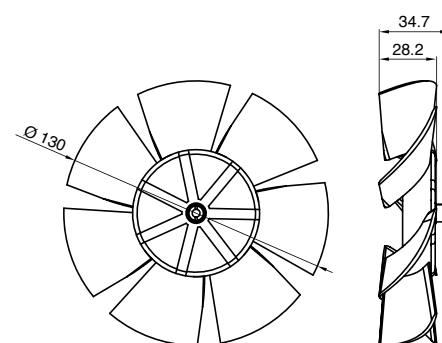


PLASTIC 7-BLADES FAN

Material: Nylon
Colour: Black
Diameter: 130 mm

Code

GM1VN01A00

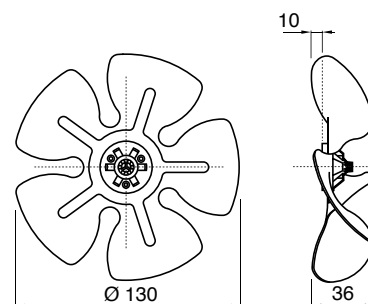


METAL 5-BLADES FAN

Material: Aluminum
Colour: Glossy
Diameter: 130 mm

Code

GMVKW52002



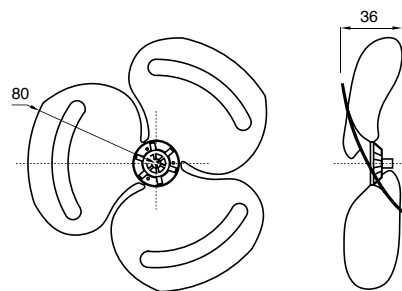


METAL 3-BLADES FAN

Material: Iron sheet
 Colour: Black
 Diameter: 156 mm

Code

GMVTR51004

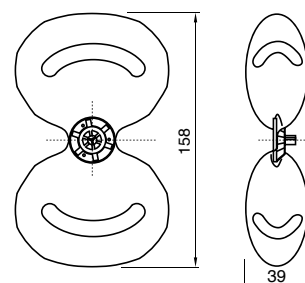


METAL 2-BLADES FAN

Material: Plastic, aluminum
 Colour: Black
 Diameter: 158 mm

Code

GMVCD51001



CENTRIFUGAL PLASTIC FAN

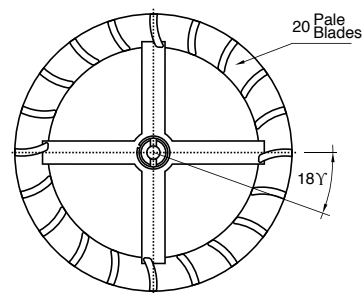
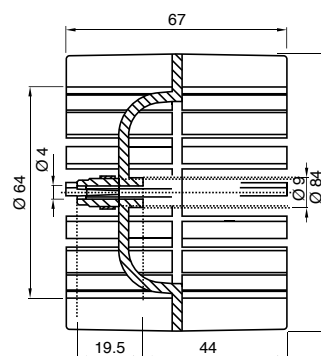
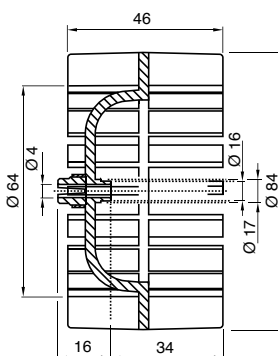
Material: Nylon
 Colour: Black
 Diameter: 84 mm
 Height: 46 mm / 67 mm

Code (h. 46)

GMVDD00010

Code (h. 67)

GMVXX03020



EC BRUSHLESS MOTOR



**EXTREMELY SILENT
LOW ENERGY CONSUMPTION
HIGH PERFORMANCE**

Example for Performance EC motor stack height 12 mm.

RATED VOLTAGE	230 VAC (-15%; +10%)
INSULATION CLASS	F
RATED MECHANICAL POWER	1,2 W
RATED ELECTRIC POWER	6,7 W
MOTOR EFFICIENCY	18%
WITHSTAND VOLTAGE	1800 V
TORQUE DIRECTION	CW
NUMBER OF POLES	2
DRIVE	Half bridge
MAX SPEED	3.000 rpm
PROTECTION	Thermostat 100 °C
OPERATING TEMPERATURE	-5 °C / +40 °C
NOTE	Shaft lenght: on request Wires color: on request

Everel has released the Performance and Performance Plus EC brushless motors series.

The Performance Plus version, which integrates more advanced electronics, allows the control of motor speed and the possibility of reversing the rotation; humidity sensor, presence sensor, and timer can be integrated in the same board; motor efficiency up to 40%.

- Energy saving: up to 70% compared to traditional motor
- Integrated electronic
- Power supply from 12 VAC to 240 VAC / 1 / 50-60. Also available 12 VDC
- Same dimensions and cut-out of standard motors (diameter 58 mm)
- Performance Plus version: humidity sensor, presence sensor, timer, lighting mgmt, firmware customization
- Ball bearings



OPTIONALS



Shaft can be smooth, milled or with grooves with length on demand



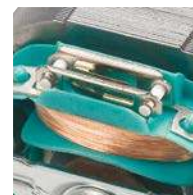
Stack height from 12 to 35 mm

Fuse



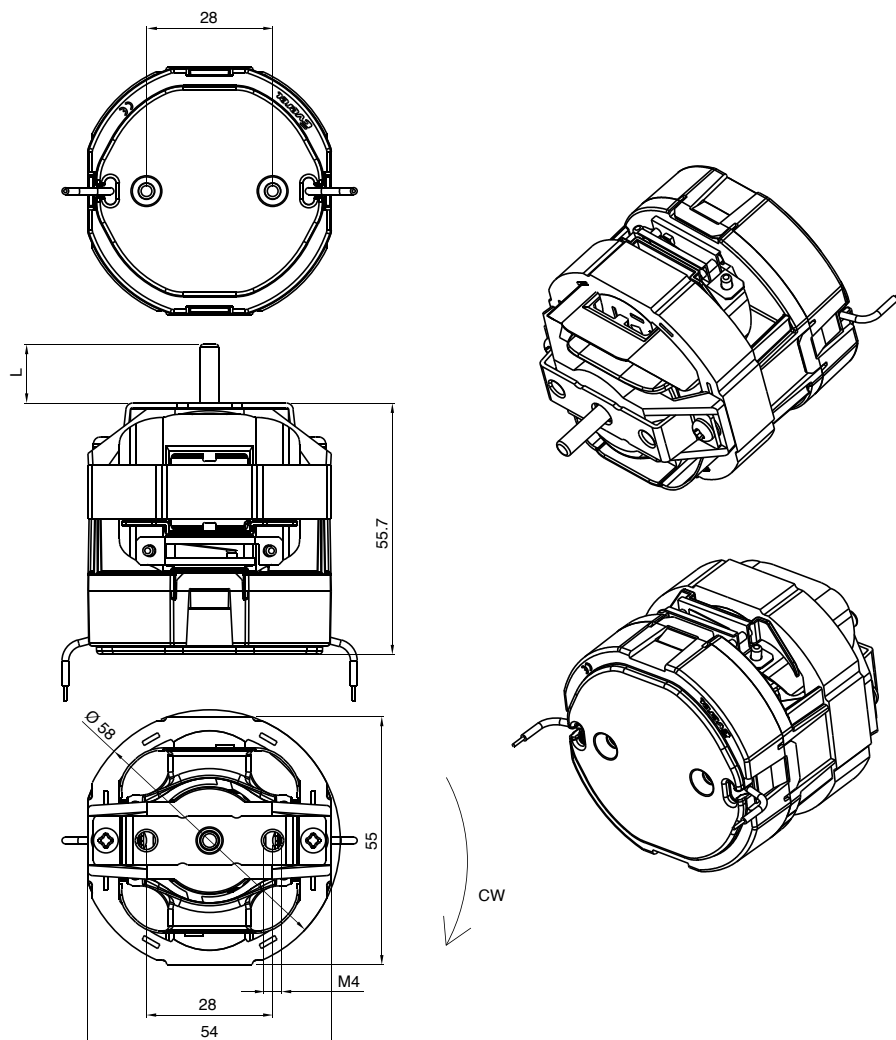
Motors protected by thermal fuse or thermostat (autoreset or self holding)

Thermostat



DRAWING

(Performance version)



Different covers available

TECHNICAL FEATURES

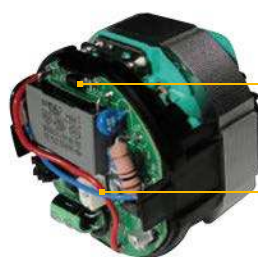
PERFORMANCE



Integrated electronic and power supply board

Installation from electronic side available

PERFORMANCE PLUS



Timer management

Humidity sensor connector
Speed control
Presence sensor connection

SELV version 12 V available

SELV: Safety Extra Low Voltage

Stack height (H) mm	Power absorption W	Shaft Power W
12	4,5 ... 15	0,8 ... 2,7
16	6,5 ... 20	1,2 ... 3,6
20	7,5 ... 25	1,4 ... 4,5
25	8,5 ... 30	1,6 ... 5,4
30	9,5 ... 40	1,7 ... 7,2
35	10,5 ... 50	1,9 ... 9

Stack height (H) mm	Power absorption W	Shaft Power W Plus
12	4 ... 15	1,4 ... 5,3
16	5 ... 20	1,8 ... 7
20	6 ... 25	2,1 ... 8,8
25	7 ... 30	2,5 ... 10,5
30	8 ... 40	2,8 ... 14
35	9 ... 50	3,2 ... 17,5



- Headquarter
- Production Site
- Sales Network



Everel Group S.P.A.

[Headquarter - Production Site]
Via Cavour, 9
37067 Valeggio sul Mincio (VR) - Italy
tel. +39 045 6313711
fax +39 045 6313730

Dreefs GmbH

[Production Site]
Ernst-Dreefs-Straße 7
96364 Marktrodach - Germany
tel. +49 9261 9610
fax +49 9261 961248

Everel Romania S.r.l.

[Production Site]
Calea Timisorii 109
Lipova - Arad - Romania
tel. +40 257 563087
fax +40 257 563086

www.everelgroup.com

