



A1



TYPICAL APPLICATIONS	Small appliances
FUNCTIONS	<ul style="list-style-type: none"> ■ SPST, momentary or not ■ SPDT, momentary or not
CYCLE No.	50.000
CUT OUT	19x13 mm
AMBIENT TEMPERATURE	125 °C
GWT	850 °C
GWT NO FLAME (<2 sec)	750 °C on demand

A 1

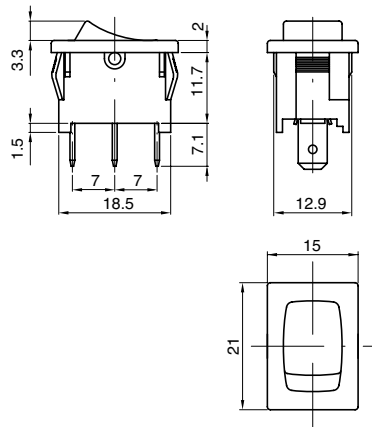
DRAWING



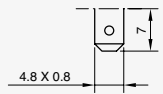
TERMINAL



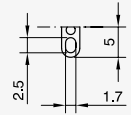
AIPRT
WATERPROOF CAP



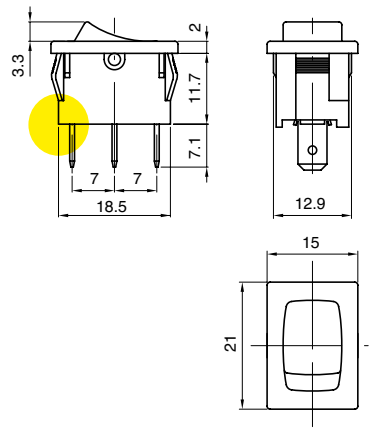
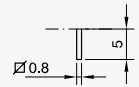
1



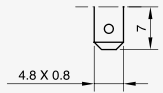
2



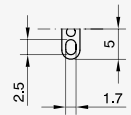
A



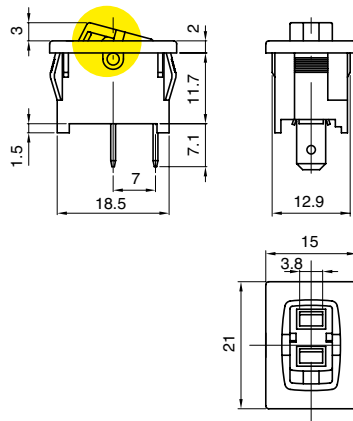
7



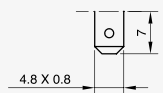
8



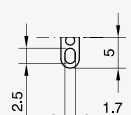
CUSTOMIZABLE

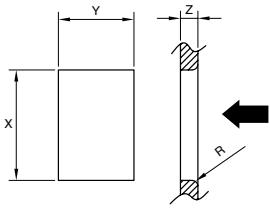


9



E





Z	Y	X
0,75 ... 1,25	13,0 ±0,1	19,0 +0,2 0
1,25 ... 2,0	13,0 ±0,1	19,3 +0,2 0
2,0 ... 3,0	13,0 ±0,1	19,6 +0,2 0

A **1** **0** **0** **0**

TERMINAL FUNCTION RATING BODY COLOUR ROCKER COLOUR MARKING COLOUR MARKING

FUNCTION	RATING	BODY COLOUR	ROCKER COLOUR	MARKING COLOUR	MARKING
<p>1</p> <p>3 Terminal 1 - 2 - 9 - E</p> <p>4 Terminal 1 - 2 - 7 - 8</p> <p>A Terminal 1 - 2 - 7 - 8</p> <p>B Terminal 1 - 2</p>	<p>2</p> <p>Terminal 1 - 2 Function 4 - A - B</p> <p>6 (2) A / 250 VAC 3 (1) A / 250 VAC - 5E4 T125/55 °C - T125 °C EN 61058-1</p> <p>6 A GP - 125 / 250 VAC 1/10 HP - 125 VAC 1/6 HP - 250 VAC T105/55 °C UL 61058-1</p> <p>3</p> <p>Terminal 1-2-7-8-9-A-E Function 1 - 3</p> <p>10 (4) A / 250 VAC 6 (6) A / 250 VAC 6 (4) A / 250 VAC - 5E4 T125/55 °C - T125 °C EN 61058-1</p> <p>10 A GP - 125 / 250 VAC 1/3 HP - 125 VAC 1/2 HP - 250 VAC T105/55 °C UL 61058-1</p> <p>7</p> <p>Terminal 7 - 8 Function 4 - A</p> <p>10 (2) A / 250 VAC 6 (1) A / 250 VAC - 5E4 T125/55 °C - T125 °C EN 61058-1</p> <p>10 A GP - 125 / 250 VAC 1/10 HP - 125 VAC 1/6 HP - 250 VAC T105/55 °C UL 61058-1</p> <p>B</p> <p>Terminal 1 - 2 - 9 - E Function 1 - 3</p> <p>13 (4) A / 250 VAC 6 (6) A / 250 VAC - 5E4 T125/55 °C - T125 °C EN 61058-1</p> <p>15 A GP / 125 VAC 10 A GP / 250 VAC 1/3 HP - 125 VAC 1/2 HP - 250 VAC T105/55 °C UL 61058-1</p>	<p>1 </p> <p>black</p> <p>2 </p> <p>white</p> <p>9 </p> <p>red</p> <p>X </p> <p>custom</p>	<p>1 </p> <p>black</p> <p>2 </p> <p>white</p> <p>9 </p> <p>red</p> <p>X </p> <p>custom</p>	<p>0</p> <p>none</p> <p>1 </p> <p>black</p> <p>2 </p> <p>white</p> <p>5 </p> <p>grey</p> <p>7 </p> <p>light blue</p> <p>8 </p> <p>red</p> <p>9 </p> <p>orange</p> <p>X </p> <p>custom</p>	<p>0 </p> <p>1 </p> <p>2 </p> <p>3 </p> <p>4 </p> <p>5 </p> <p>6 </p> <p>7 </p> <p>8 </p> <p>C </p> <p>F </p> <p>G </p> <p>R </p> <p>Z </p> <p>X </p>



A1



TYPICAL APPLICATIONS	Small appliances
FUNCTIONS	<ul style="list-style-type: none"> ■ SPST, illuminated or not ■ SPDT ■ SPCO, momentary or not
CYCLE No.	50.000
CUT OUT	19x13 mm
AMBIENT TEMPERATURE	125 °C
GWT	850 °C
GWT NO FLAME (<2 sec)	750 °C on demand



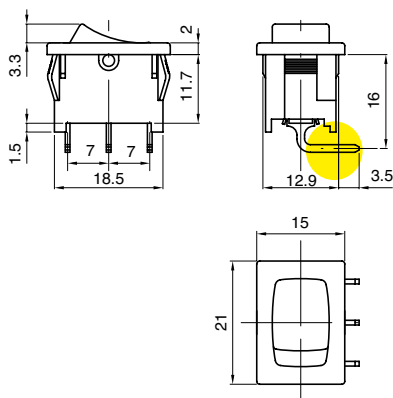
DRAWING



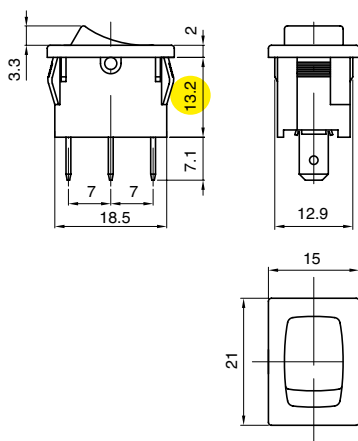
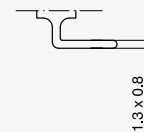
TERMINAL



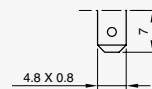
AIPRT
WATERPROOF CAP



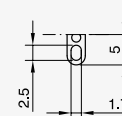
C

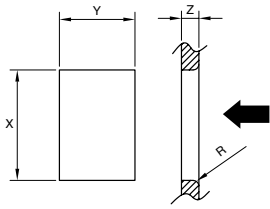


1

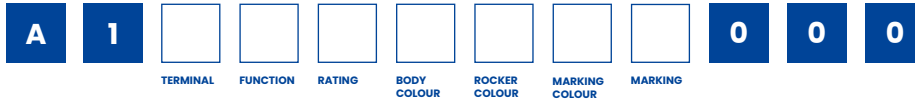


2





Z	Y	X
0,75 ... 1,25	13,0 ±0,1	19,0 +0,2 / 0
1,25 ... 2,0	13,0 ±0,1	19,3 +0,2 / 0
2,0 ... 3,0	13,0 ±0,1	19,6 +0,2 / 0



FUNCTION

- 1** Terminal C
- 3** Terminal C
- 5** Terminal 1 - 2
- C** Terminal 1 - 2
- D** Terminal 1 - 2
- 6** Terminal 1 - 2



RATING

- 3**
Terminal 1 - 2
Function 1 - 3 - 6
10 (4) A / 250 VAC
6 (6) A / 250 VAC
6 (4) A / 250 VAC - 5E4
T125/55 °C - T125 °C
EN 61058-1

 10 A GP - 125 / 250 VAC
 1/3 HP - 125 VAC
 1/2 HP - 250 VAC
 T105/55 °C
 UL 61058-1
- 6**
Terminal 1 - 2
Function 5 - C - D
10 (2) A / 250 VAC
6 (1) A / 250 VAC - 5E4
T125/55 °C - T125 °C
µ disconnection
EN 61058-1

 6 A GP - 125 / 250 VAC
 1/8 HP - 125 VAC
 1/6 HP - 250 VAC
 T105/55 °C
 µ disconnection
 UL 61058-1
- B**
Terminal 1
Function 6
13 (4) A / 250 VAC
6 (6) A / 250 VAC - 5E4
T125/55 °C - T125 °C
EN 61058-1

 15 A GP / 125 VAC
 10 A GP / 250 VAC
 1/3 HP - 125 VAC
 1/2 HP - 250 VAC
 T105/55 °C
 UL 61058-1
- Terminal 1 - 2**
Function 5 - C - D
13 (4) A / 250 VAC
6 (6) A / 250 VAC - 5E4
T125/55 °C - T125 °C
µ disconnection
EN 61058-1

 15 A GP / 125 VAC
 10 A GP / 250 VAC
 1/3 HP - 125 VAC
 1/2 HP - 250 VAC
 T105/55 °C
 µ disconnection
 UL 61058-1



BODY COLOUR

- 1** black
- 2** white
- 9** red
- X** custom



ROCKER COLOUR

- 1** black
- 2** white
- 9** red
- ILLUMINATED**
- G** red
- H** orange
- E** green
- L** white
- X** custom



MARKING COLOUR

- 0** none
- 1** black
- 2** white
- 5** grey
- 7** light blue
- 8** red
- 9** orange
- X** custom



MARKING

- 0**
- 1**
- 2**
- 3**
- 4**
- 5**
- 6**
- 7**
- 8**
- 9**
- C**
- F**
- G**
- R**
- S**
- Z**
- X**