

A2



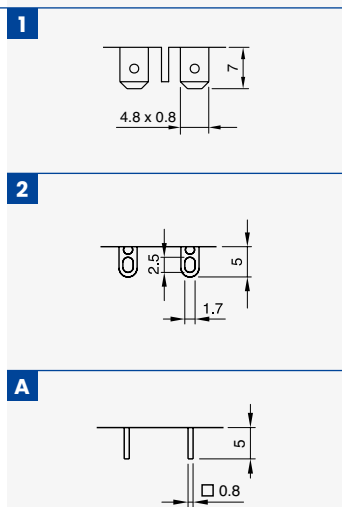
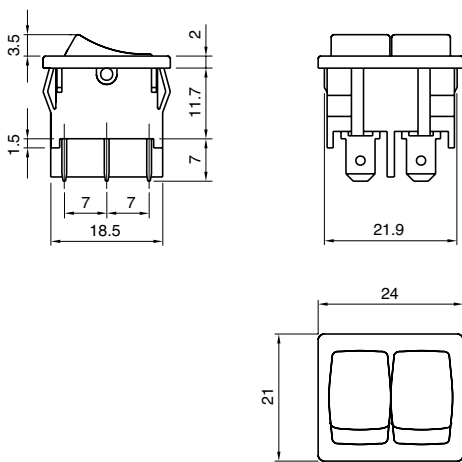
TYPICAL APPLICATIONS	Hairdryers, small appliances
FUNCTIONS	<ul style="list-style-type: none"> ■ Double SPST, momentary or not ■ Double SPDT ■ SPST + SPCO
CYCLE No.	50.000
CUT OUT	19x22 mm
AMBIENT TEMPERATURE	125 °C
GWT	850 °C
GWT NO FLAME (<2 sec)	750 °C on demand



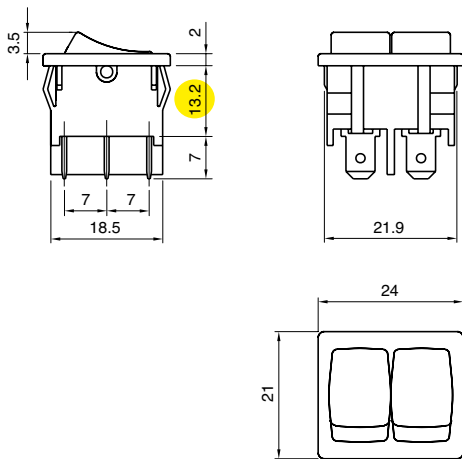
DRAWING

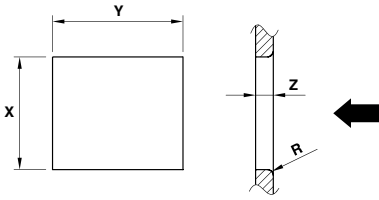


TERMINAL



Function K





Z	Y		X	
0,7 ... 1,25	22,0	±0,1	19,0	+0,2 0
1,25 ... 2,0	22,0	±0,1	19,3	+0,2 0
2,0 ... 3,0	22,0	±0,1	19,6	+0,2 0

A	2									0	0
TERMINAL	FUNCTION	RATING	BODY COLOUR	ROCKER COLOUR L	ROCKER COLOUR R	MARKING COLOUR L	MARKING COLOUR R				

FUNCTION	RATING	BODY COLOUR	ROCKER COLOUR	MARKING COLOUR	MARKING
1 Terminal 1 - 2 	2 Function 4 6 (2) A / 250 VAC 3 (1) A / 250 VAC - 5E4 T125/55 °C - T125 °C EN 61058-1	1 black 2 white X custom	1 black 2 white 9 red B light blue X custom	0 none 1 black 2 white X custom	0 L R 1 L R 2 L R 3 L R 4 L R 6 L R 8 L R 9 L R C L R F L R G L R N L R S L R R L R Z L R X L R
3 Terminal 1 - 2 	6 A GP - 125 / 250 VAC 1/10 HP - 125 VAC 1/6 HP - 250 VAC T105/55 °C UL 61058-1				
4 Terminal 1 - 2 	10 (4) A / 250 VAC 6 (4) A / 250 VAC - 5E4 T125/55 °C - T125 °C EN 61058-1				
K Terminal A 	6 Function K 10 (2) A / 250 VAC 6 (1) A / 250 VAC - 5E4 T125/55 °C - T125 °C µ disconnection EN 61058-1				
	6 A GP - 125 / 250 VAC 1/8 HP - 125 VAC 1/6 HP - 250 VAC µ disconnection T105/55 °C UL 61058-1				