



CN



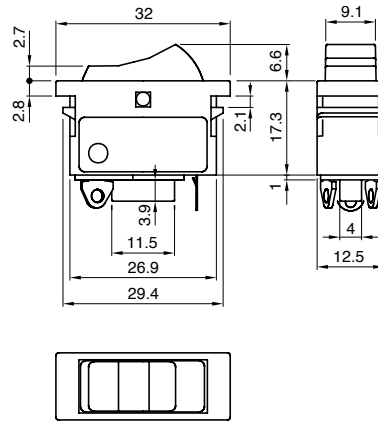
TYPICAL APPLICATIONS	Hairdryers
FUNCTIONS	■ SPDT (3 positions 0/1/1+2)
CYCLE No.	50.000
CUT OUT	See drawing
AMBIENT TEMPERATURE	85 °C
GWT	850 °C



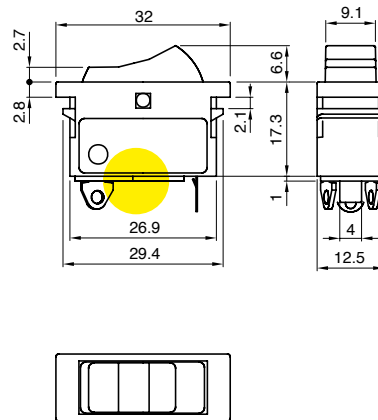
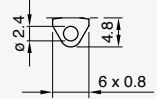
DRAWING



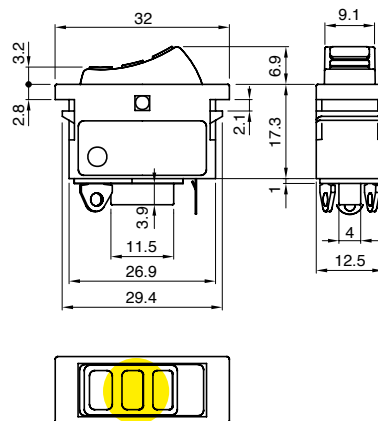
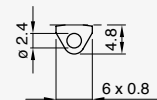
TERMINAL



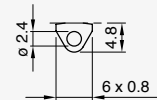
E



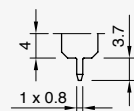
G

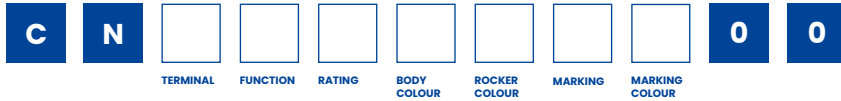
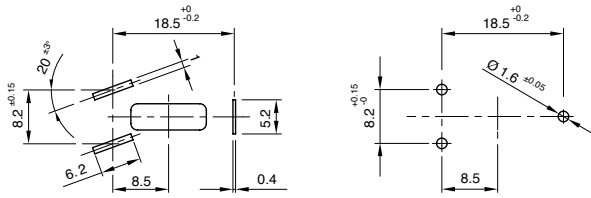


K

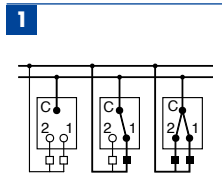


L





FUNCTION



RATING

- 2**
 16 A / 250 VAC
 10 A / 250 VAC - 5E4
 T85 °C
 µ disconnection
 EN 61058
- 3**
 16 A / 250 VAC
 10 A / 250 VAC - 5E4
 T85 °C
 µ disconnection
 EN 61058
- 13 A / 125 VAC
 6.5 A / 250 VAC
 T65 °C
 UL 1054



BODY COLOUR

- 1** black
- X** custom



ROCKER COLOUR

- 1** black
- 2** white
- 9** red
- X** custom



MARKING

- 0** none

Terminal E - G

- A**
- C**

Terminal K - L

- A**

- X** custom



MARKING COLOUR

- 0** none

- 1** black

- 2** white

- 5** grey

- 7** light blue

- 8** red

- X** custom



CN



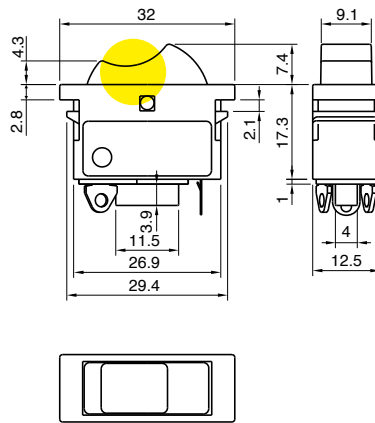
TYPICAL APPLICATIONS	Hairdryers
FUNCTIONS	■ SPDT (3 positions 0/1/1+2)
CYCLE No.	50.000
CUT OUT	See drawing
AMBIENT TEMPERATURE	85 °C
GWT	850 °C



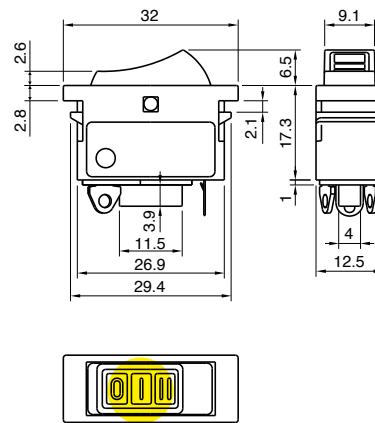
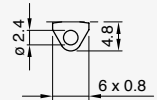
DRAWING



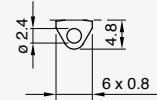
TERMINAL



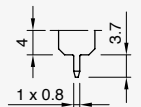
P

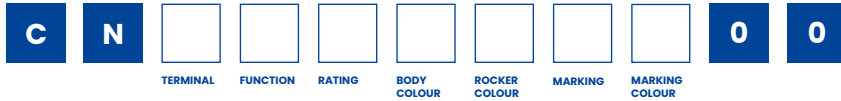
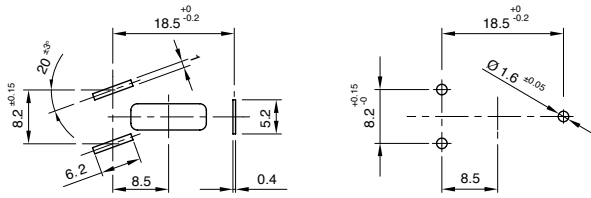


A

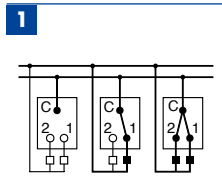


B





FUNCTION



RATING

- 2**
 16 A / 250 VAC
 10 A / 250 VAC - 5E4
 T85 °C
 µ disconnection
 EN 61058
- 3**
 16 A / 250 VAC
 10 A / 250 VAC - 5E4
 T85 °C
 µ disconnection
 EN 61058
- 13 A / 125 VAC
 6.5 A / 250 VAC
 T65 °C
 UL 1054



BODY COLOUR

- 1** black
- X** custom



ROCKER COLOUR

- 1** black
- 2** white
- 9** red
- X** custom



MARKING

- Terminal P
- 0**
- C**
- D**
- X**

Terminal A - B

- 0**



MARKING COLOUR

- 0** none
- 1** black
- 2** white
- 5** grey
- 7** light blue
- 8** red
- X** custom

Terminal A - B

- 0** none