



CO



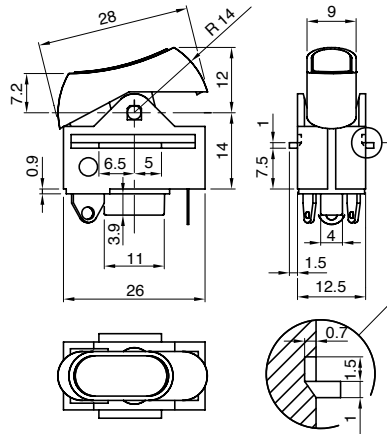
TYPICAL APPLICATIONS	Hairdryers
FUNCTIONS	■ SPDT (3 positions 0/1/+2)
CYCLE No.	50.000
CUT OUT	See drawing
AMBIENT TEMPERATURE	85 °C
GWT	850 °C



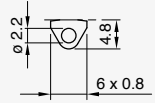
DRAWING



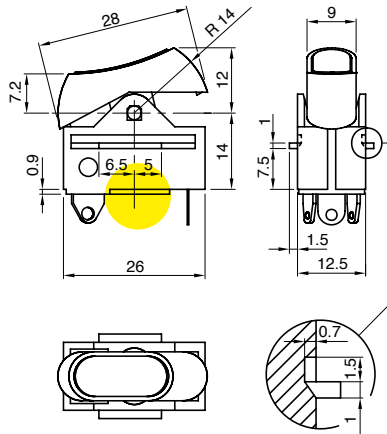
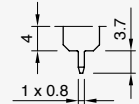
TERMINAL



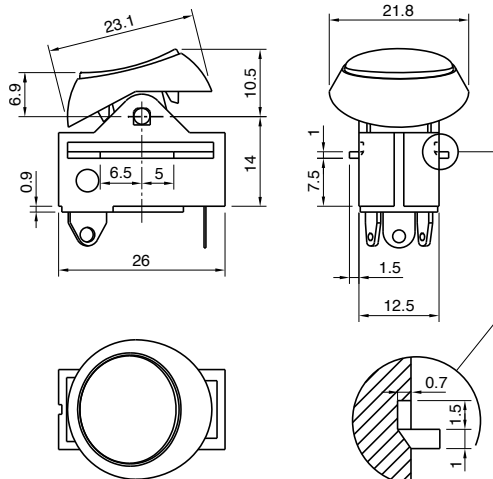
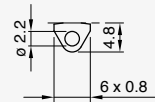
K



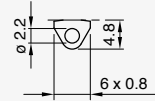
L

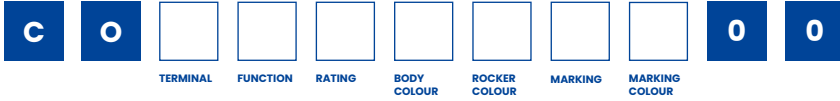
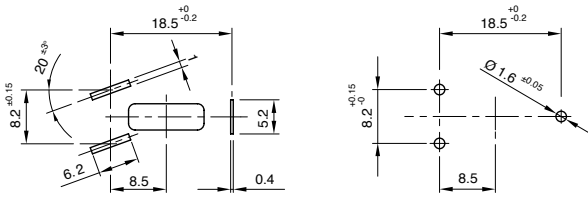


M

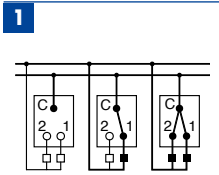


S





FUNCTION



RATING

- 2**
 16 A / 250 VAC
 10 A / 250 VAC - 5E4
 T85/55 °C
 μ disconnection
 EN 61058-1
- 3**
 16 A / 250 VAC
 10 A / 250 VAC - 5E4
 T85/55 °C
 μ disconnection
 EN 61058-1
- 16 A GP / 125 VAC
 6.5 A GP / 250 VAC
 T85/55 °C
 μ disconnection
 UL 61058-1



BODY COLOUR

- 1**
 brown



ROCKER COLOUR

- 1**
 black
- 2**
 white
- 5**
 grey
- 9**
 red
- X**
 custom

Terminal S

- 1**
 black
- X**
 custom



MARKING

- 0**
- A**
- B**
- C**
- D**
- E**
- F**
- X**

Terminal S

- 0**
- X**



MARKING COLOUR

- 0**
 none
- 1**
 black
- 2**
 white
- 5**
 grey
- 7**
 light blue
- 8**
 red
- X**
 custom



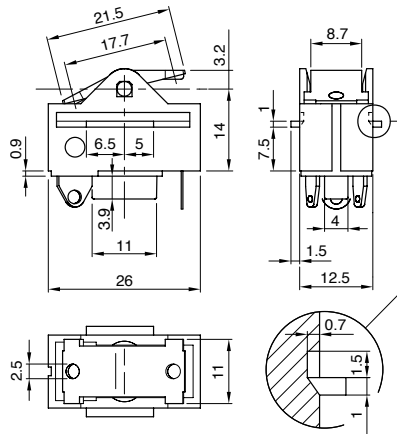
TYPICAL APPLICATIONS	Hairdryers
FUNCTIONS	■ SPDT (3 positions 0/1/1+2)
CYCLE No.	50.000
CUT OUT	See drawing
AMBIENT TEMPERATURE	85 °C
GWT	850 °C



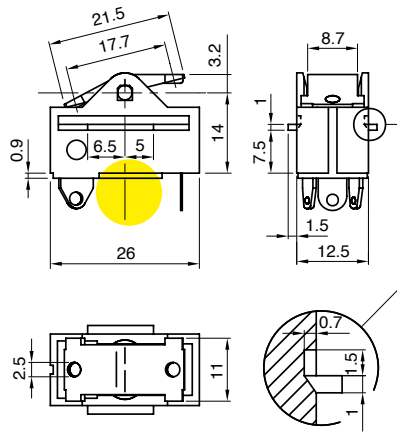
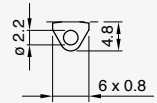
DRAWING



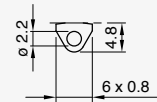
TERMINAL

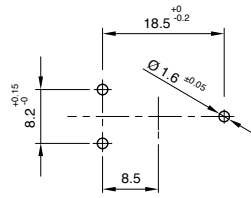
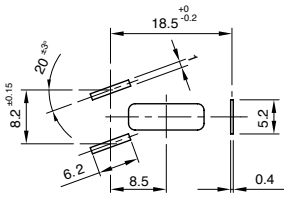


E



G





FUNCTION



RATING

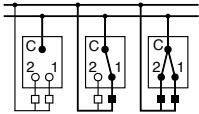


BODY COLOUR



ROCKER COLOUR

1



2

16 A / 250 VAC
 10 A / 250 VAC - 5E4
 T85/55 °C
 μ disconnection
 EN 61058-1

3

16 A / 250 VAC
 10 A / 250 VAC - 5E4
 T85/55 °C
 μ disconnection
 EN 61058-1

16 A GP / 125 VAC
 6.5 A GP / 250 VAC
 T85/55 °C
 μ disconnection
 UL 61058-1

1 
 brown

1 
 brown