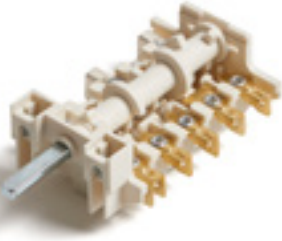


HT



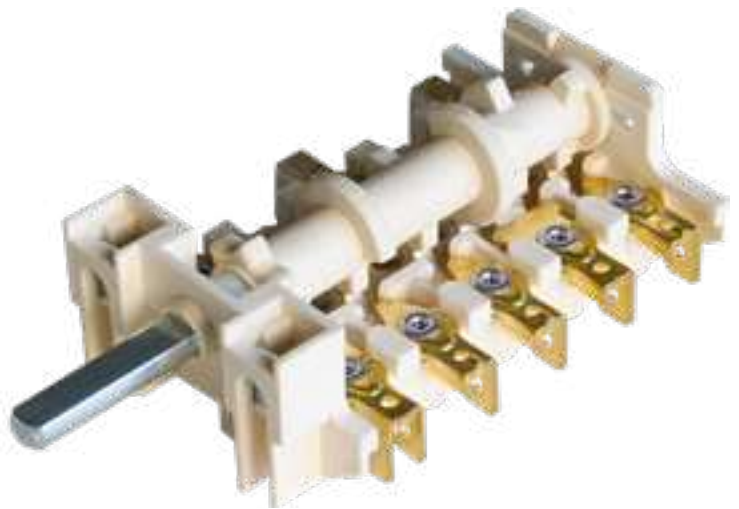
TYPICAL APPLICATIONS	Electric hobs in freestanding cookers
WIRING DIAGRAMS	2 standard positions rotary switch
GWFI	850 °C
GWT NO FLAME (<2sec)	750 °C

7 positions rotary switch, ideal for electric hobs in freestanding cookers. M4 screw mounting and different shafts available. Special sequences with 4 - 5 - 6 positions are available.

- Terminals 6,3 mm
- M4 screw mounting
- Metal or plastic shafts
- With or without signal contact

RATING

16(6) A / 250 VAC - 30E3
 12 A / 400 VAC - 30E3
 0,25 A / 400 VAC - 30E3
 T150 °C (T105 °C for model with PCB)
 According to EN 61058-1



OPTIONS

Metal or plastic shaft, with length on demand.

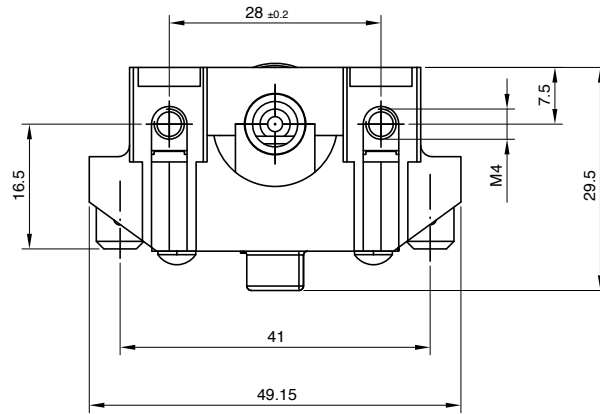
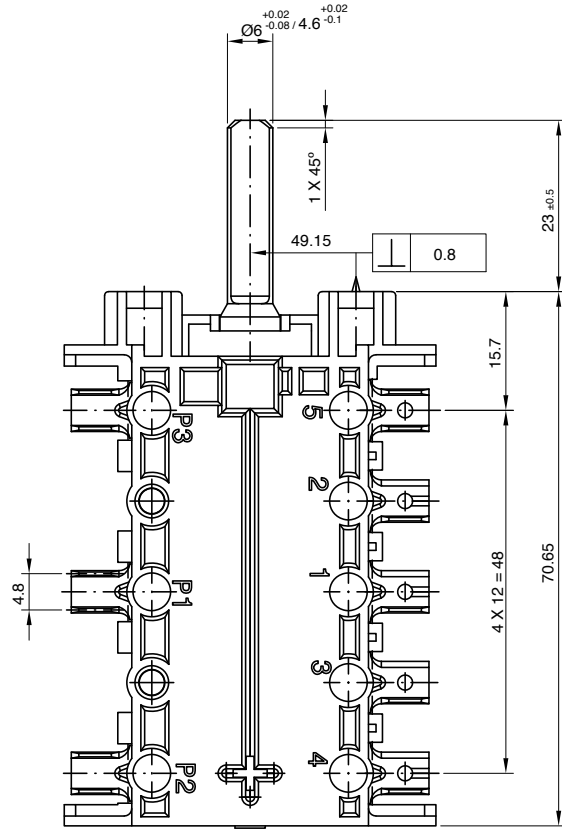
Metal shaft



Plastic shaft



DIMENSIONS



EXAMPLE OF CONTACT SEQUENCE

Pos.	Ang.	5	2	1	3-3	4
		P3		P1		P2
0	0°					
1	51,4°	■	■	■	■	■
2	102,8°	■	■		■	■
3	154,2°	■	■		■	
4	205,6°	■	■			■
5	257,0°	■			■	■
6	308,4°	■		■	■	