

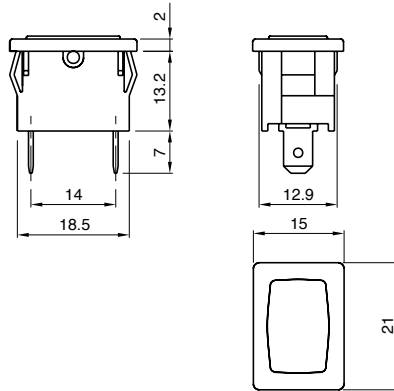
A5



FUNCTIONS	Indicator light A1 series
AMBIENT TEMPERATURE	125 °C
GWT	850 °C
GWT NO FLAME (<2sec)	650 °C

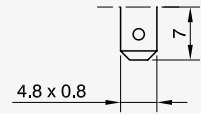
A 5

DRAWING



TERMINAL

1



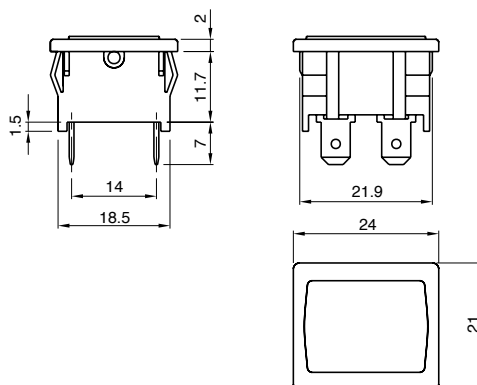
A7



FUNCTIONS	Indicator light A4 series
AMBIENT TEMPERATURE	125 °C
GWT	850 °C
GWT NO FLAME (<2sec)	650 °C

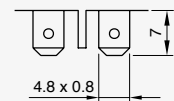
A 7

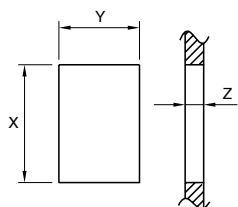
DRAWING



TERMINAL

1





Z	Y		X	
0,7 ... 1,25	13,0	±0,1	19,0	+0,2 0
1,25 ... 2,0	13,0	±0,1	19,3	+0,2 0
2,0 ... 3,0	13,0	±0,1	19,6	+0,2 0

A
5

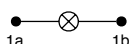
0
0
0
0
0

TERMINAL FUNCTION RATING BODY COLOUR LENS COLOUR



FUNCTION

1



RATING

2

200 - 250 VAC
T125 °C
VDE 710

200 - 250 VAC
T65 °C
UL 496
CSA C22.2



BODY COLOUR

1

black

X



custom



LENS COLOUR

ILLUMINATED ✨

G



red

H



orange

E

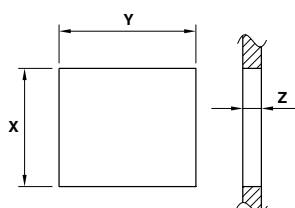


green

X



custom



Z	Y		X	
0,7 ... 1,25	22,0	±0,1	19,0	+0,2 0
1,25 ... 2,0	22,0	±0,1	19,3	+0,2 0
2,0 ... 3,0	22,0	±0,1	19,6	+0,2 0

A
7

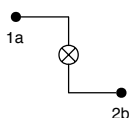
0
0
0
0
0

TERMINAL FUNCTION RATING BODY COLOUR LENS COLOUR



FUNCTION

1



RATING

2

200 - 250 VAC
T125 °C
VDE 710

200 - 250 VAC
T65 °C
UL 496
CSA C22.2



BODY COLOUR

1

black

X



custom



LENS COLOUR

ILLUMINATED ✨

G



red

H



orange

E



green

X



custom



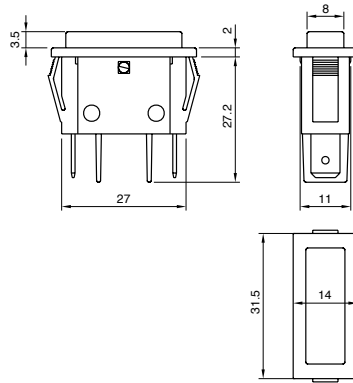
B5



FUNCTIONS	Indicator light SX81 series
AMBIENT TEMPERATURE	120 °C
GWT	850 °C
GWT NO FLAME (<2sec)	650 °C

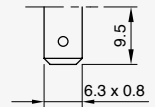
B 5

DRAWING



TERMINAL

1



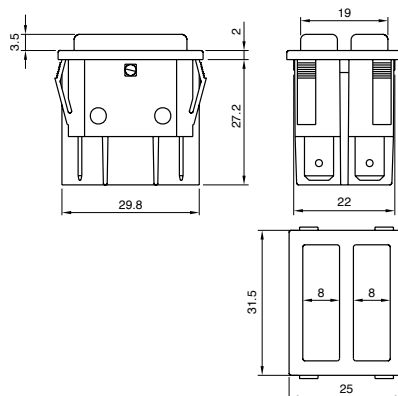
B6



FUNCTIONS	Indicator light SX83 series
AMBIENT TEMPERATURE	120 °C
GWT	850 °C
GWT NO FLAME (<2sec)	650 °C

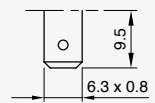
B 6

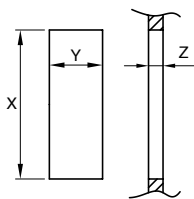
DRAWING



TERMINAL

1



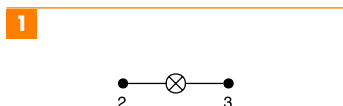


Z	Y		X	
0,75 ... 1,25	11,0	+0,2 0	30,0	0 -0,1
1,25 ... 2,0	11,0	+0,2 0	30,2	0 -0,1
2,0 ... 3,0	11,0	+0,2 0	30,6	0 -0,2
3,0 ... 4,0	11,0	+0,2 0	30,8	0 -0,2

B **5** **0** **0** **0** **0** **0** **0**

TERMINAL FUNCTION RATING BODY COLOUR LENS COLOUR

FUNCTION



RATING

2

200 - 250 VAC
T120 °C
VDE 710

200 - 250 VAC
T65 °C
UL 496
CSA C22.2

BODY COLOUR

1

black

X **?**

custom

LENS COLOUR

ILLUMINATED ✨

G

red

H

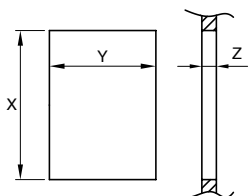
orange

E

green

X **?**

custom

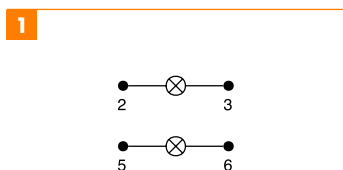


Z	Y		X	
0,75 ... 1,25	22,0	+0,2 0	30,0	0 -0,1
1,25 ... 2,0	22,0	+0,2 0	30,2	0 -0,1
2,0 ... 3,0	22,0	+0,2 0	30,6	0 -0,2
3,0 ... 4,0	22,0	+0,2 0	30,8	0 -0,2

B **6** **0** **0** **0** **0** **0**

TERMINAL FUNCTION RATING BODY COLOUR LENS COLOUR L LENS COLOUR R

FUNCTION



RATING

2

200 - 250 VAC
T120 °C
VDE 710

200 - 250 VAC
T65 °C
UL 496
CSA C22.2

BODY COLOUR

1

black

X **?**

custom

LENS COLOUR

ILLUMINATED ✨

G

red

H

orange

E

green

X **?**

custom



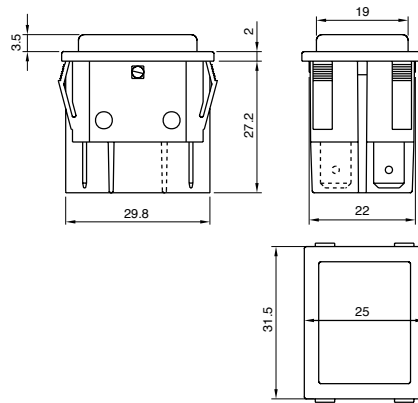
B7



FUNCTIONS	Indicator light SX82 series
AMBIENT TEMPERATURE	120 °C
GWT	850 °C
GWT NO FLAME (<2sec)	650 °C

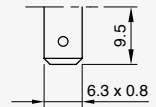
B 7

DRAWING



TERMINAL

1



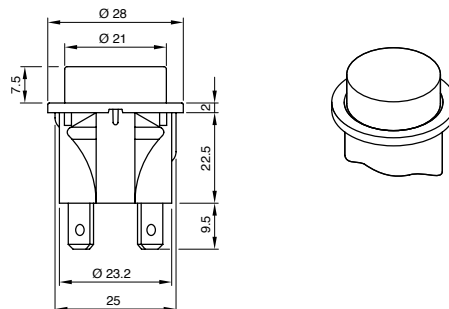
SP60 INDICATOR LIGHT



FUNCTIONS	Indicator light SP60 series
AMBIENT TEMPERATURE	120 °C
GWT	850 °C
GWT NO FLAME (<2sec)	650 °C

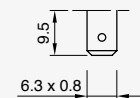
S P 6 0

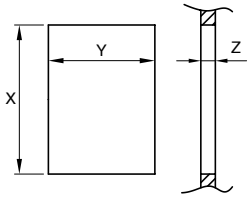
DRAWING



TERMINAL

1





Z	Y		X	
0,75 ... 1,25	22,0	+0,2 0	30,0	0 -0,1
1,25 ... 2,0	22,0	+0,2 0	30,2	0 -0,1
2,0 ... 3,0	22,0	+0,2 0	30,6	0 -0,2
3,0 ... 4,0	22,0	+0,2 0	30,8	0 -0,2

B
7

0
0
0
0
0
0

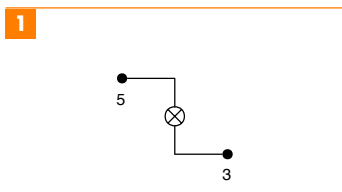
TERMINAL FUNCTION RATING BODY COLOUR LENS COLOUR

FUNCTION

RATING

BODY COLOUR

LENS COLOUR



2

200 - 250 VAC
T120 °C
VDE 710

200 - 250 VAC
 T65 °C
 UL 496
 CSA C22.2

1
black

X ?
custom

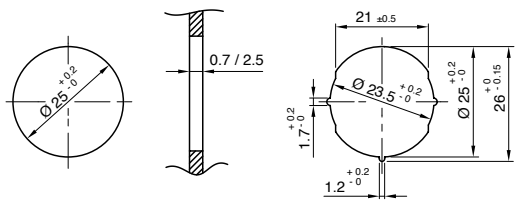
ILLUMINATED ✨

G
red

H
orange

E
green

X ?
custom



S
P
6
0

0
0
0
0

TERMINAL FUNCTION RATING BODY COLOUR LENS COLOUR

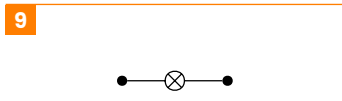
FUNCTION

RATING

BODY COLOUR

L

R
LENS COLOUR



2

220 VAC
T120 °C
VDE 710

220 VAC
 T65 °C
 UL 496
 CSA C22.2

1
black

X ?
custom

ILLUMINATED ✨

G
red

H
orange

E
green

X ?
custom