

LF



TYPICAL APPLICATIONS	Cooker hoods, hairdryers
FUNCTIONS	<ul style="list-style-type: none"> ■ 1 step, SP or DP ■ 2 steps, DP ■ 3 steps, DP
CYCLE No.	10.000
CUT OUT	Rear panel
AMBIENT TEMPERATURE	125 °C
GWT	850 °C
GWT NO FLAME (<2sec)	750 °C

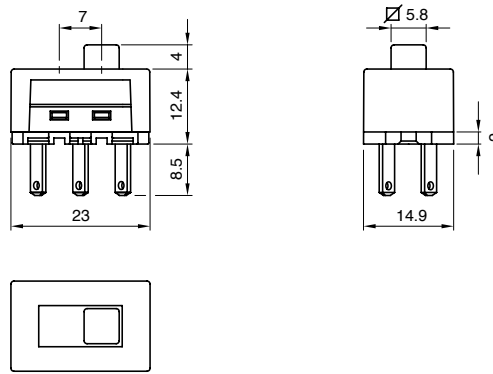


DRAWING

2



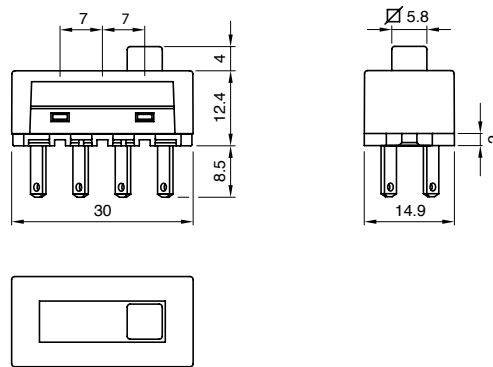
LF2



3

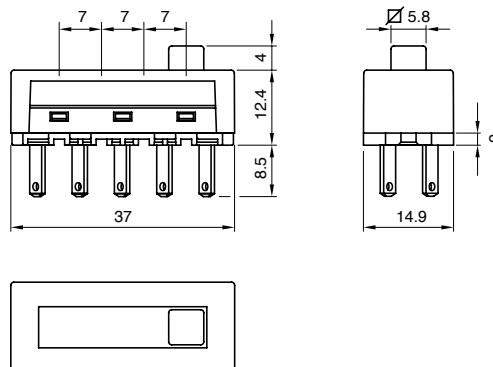


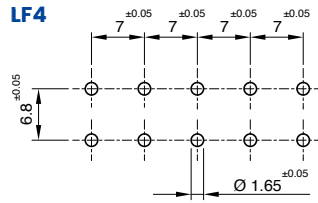
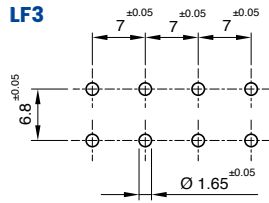
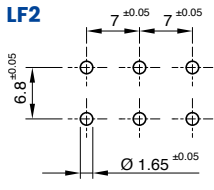
LF3



LF4

4





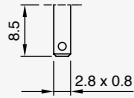
L **F** **0** **0** **0** **W**

DRAWING TERMINAL FUNCTION RATING

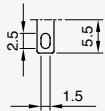


TERMINAL

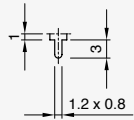
1



2



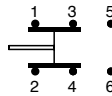
4



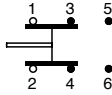
FUNCTION

Drawing 2

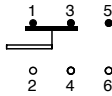
A



B

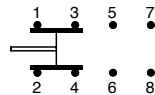


E

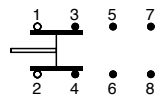


Drawing 3

A

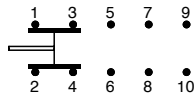


B

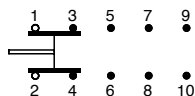


Drawing 4

A



B



RATING

3

8 (3) A / 250 VAC
T125 °C
EN 61058-1

8 (3) A / 250 VAC
T125 °C
UL 61058-1