

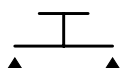
SCA



TYPICAL APPLICATIONS	Ironing systems
FUNCTIONS	■ SPST momentary
CYCLE No.	50.000
CUT OUT	19x13 mm
AMBIENT TEMPERATURE	120 °C
GWT	850 °C
GWT NO FLAME (<2sec)	750 °C on demand

0
5
8
4

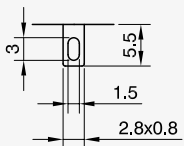
FUNCTION



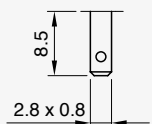


TERMINAL

0



4





RATING

2

2 (1) A / 250 VAC
1 (0.5) A / 250 VAC - 5E4
T120 °C
EN 61058

2 A - 125 / 250 VAC
 T65 °C
 UL 1054
 CSA C22.2

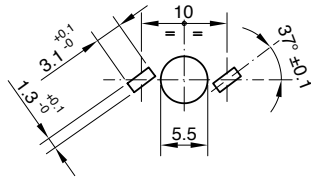
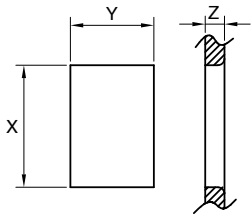
4

6 (4) A / 250 VAC
5 (2) A / 250 VAC - 5E4
T120 °C
EN 61058

6

10 (4) A / 250 VAC
5 (2) A / 250 VAC - 5E4
T120 °C
EN 61058

6 A - 125 / 250 VAC
 1/6 HP - 250 VAC
 1/8 HP - 125 VAC
 T65 °C
 UL 1054
 CSA C22.2



Z	Y	X
0,70 ... 1,25	13,0 ±0,1	19,0 ±0,1
1,25 ... 2,0	13,0 ±0,1	19,3 ±0,2
2,0 ... 3,0	13,0 ±0,1	19,6 ±0,2

0
 5
 8
 4

 0
 0

TERMINAL RATING DRAWING BODY COLOUR BUTTON COLOUR MARKING COLOUR MARKING



DRAWING



BODY COLOUR



BUTTON COLOUR

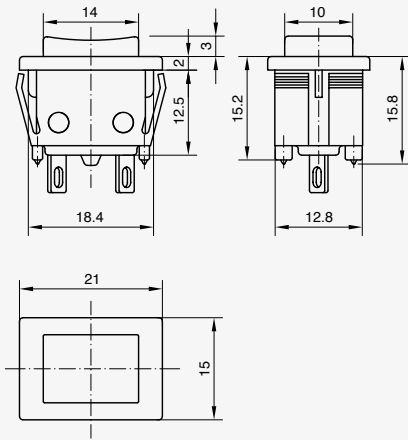


MARKING COLOUR



MARKING

A Mat



- 1 black
- 2 white
- X ? custom

- 1 black
- 2 white
- X ? custom

- 0 none
- 1 black
- 2 white
- X ? custom

- 0
- X ?

B Gloss

