

SXA3



TYPICAL APPLICATIONS	High pressure cleaners, ironing steam generators, industrial machines, cutters
FUNCTIONS	■ SPST
PROTECTION DEGREE	IP 54, IP 55 on demand
CYCLE No.	50.000
CUT OUT	30x11 mm
AMBIENT TEMPERATURE	125 °C
GWT	850 °C
GWT NO FLAME (<2 sec)	750 °C on demand

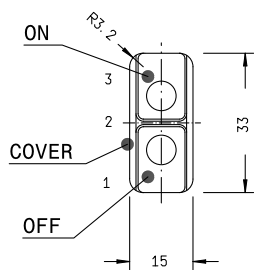
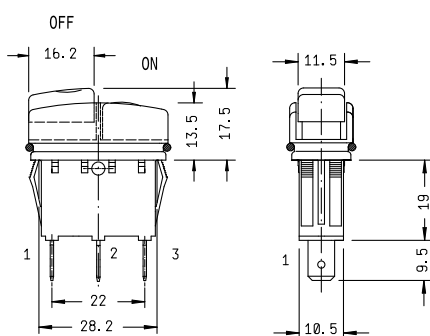


DRAWING



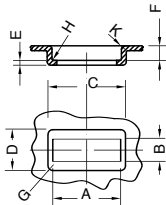
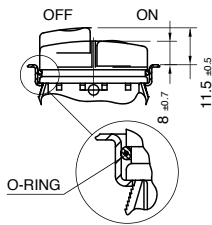
TERMINAL

O-RING



1

A



POS.	DIM.	TOL.
K	12	±0.1
H	R 0.5	+0.2
G	R 3.5	-0.1
F	5.5	+0.2
E	0.7/3.5	
D	15.6	±0.1
C	33.6	±0.1
B	11	+0.1
A	30	+0.2

S X A 3 **0 0 0**

TERMINAL FUNCTION RATING FRAME COLOUR BUTTON COLOUR OFF BUTTON COLOUR ON MARKING COLOUR OFF MARKING COLOUR ON

FUNCTION	RATING	FRAME COLOUR	BUTTON COLOUR	MARKING COLOUR	MARKING
<p>1</p>	<p>8</p> <p>16 (6) A / 250 VAC 10 (4) A / 250 VAC - 5E4 10 (4) A / 400 VAC T125/55 °C EN 61058-1</p> <p>16 A GP - 125 / 250 VAC 3/4 HP - 125 / 250 VAC T105/55 °C UL 61058-1</p>	<p>1 <input checked="" type="checkbox"/></p> <p>black</p> <p>X <input type="checkbox"/> ?</p> <p>custom</p>	<p>OFF <input type="checkbox"/> <input type="checkbox"/> ON</p> <p>1 <input checked="" type="checkbox"/></p> <p>black</p> <p>X <input type="checkbox"/> ?</p> <p>custom</p>	<p><input type="checkbox"/></p> <p>0</p> <p>none</p> <p>2 <input type="checkbox"/></p> <p>white</p> <p>X <input type="checkbox"/> ?</p> <p>custom</p>	<p>OFF <input type="checkbox"/> <input type="checkbox"/> ON</p> <p>Marking OFF</p> <p>0 <input type="checkbox"/></p> <p>1 <input type="checkbox"/></p> <p>X <input type="checkbox"/> ?</p> <p>Marking ON</p> <p>0 <input type="checkbox"/></p> <p>2 <input type="checkbox"/></p> <p>3 <input type="checkbox"/></p> <p>X <input type="checkbox"/> ?</p>