



# TOGGLE



Reported to internal components

**TYPICAL APPLICATIONS**

Small appliances

**FUNCTIONS**

- SPST
- SPDT

**CYCLE No.**

50.000

**CUT OUT**

ø 12,1 mm

**AMBIENT TEMPERATURE**

105/55 °C

**GWT**

850 °C

**GWT NO FLAME (<2 sec)**

750 °C on demand

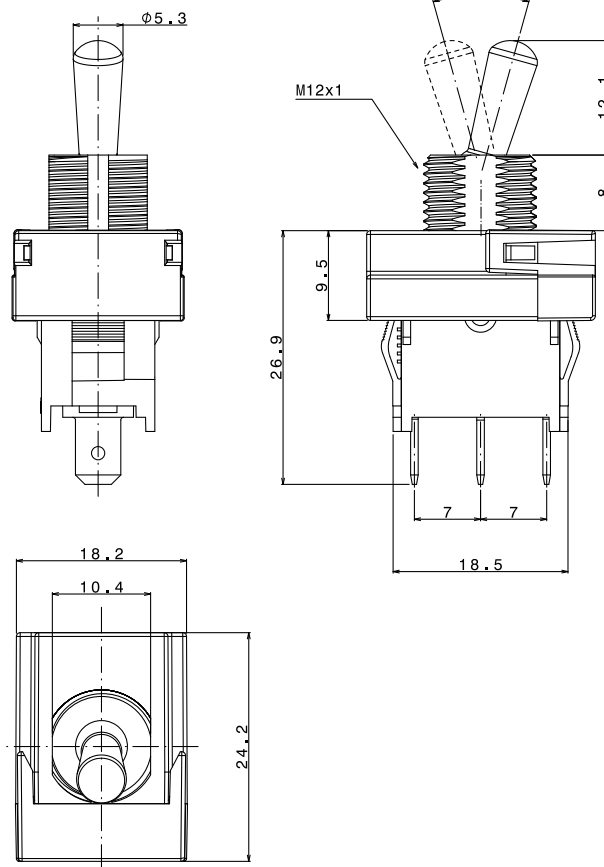


**DRAWING**



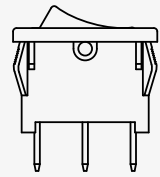
**SWITCH SERIES**

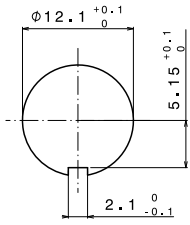
**A**



\*NUT SOLD SEPARATELY

**A1**





<b>T</b>	<b>G</b>								<b>0</b>	<b>0</b>	<b>0</b>
DRAWING	SWITCH SERIES	TERMINAL	FUNCTION	RATING	BODY COLOUR	LEVER MATERIAL	LEVER TYPE				

	TERMINAL	FUNCTION	RATING	BODY COLOUR	LEVER MATERIAL	LEVER TYPE
<b>1</b>			<p><b>3</b></p> <p>10 (4) A / 250 VAC            6 (6) A / 250 VAC            6 (4) A / 250 VAC - 5E4            T125/55 °C - T125 °C            EN 61058-1</p> <p>10 A GP - 125 / 250 VAC            1/3 HP - 125 VAC            1/2 HP - 250 VAC            T105/55 °C            UL 61058-1</p>	<p><b>1</b></p> <p>black</p>	<p><b>M</b></p> <p>metal</p>	<p><b>1</b></p>
<b>2</b>		<p><b>3</b></p>	<p><b>B</b></p> <p>13 (4) A / 250 VAC            6 (6) A / 250 VAC - 5E4            T125/55 °C - T125 °C            EN 61058-1</p> <p>15 A GP / 125 VAC            10 A GP / 250 VAC            1/3 HP - 125 VAC            1/2 HP - 250 VAC            T105/55 °C            UL 61058-1</p>			